



# COMMERCIAL

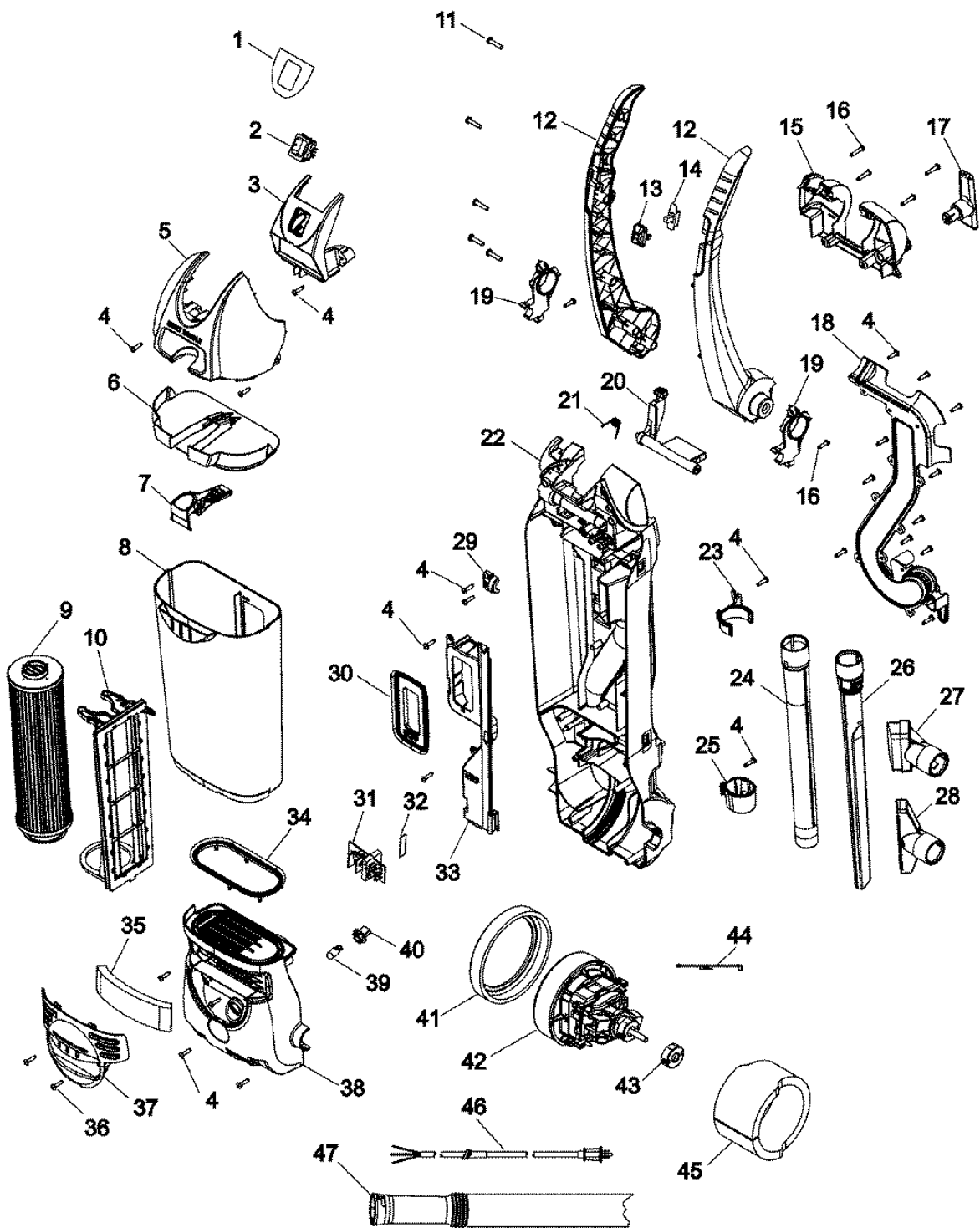
## Twin Chamber

4

### ASSEMBLY SCHEMATIC

MODEL NO.  
C1660-900

FOR VACUUM CLEANER PARTS PLEASE CALL 608-836-7771





# COMMERCIAL

## *Twin Chamber*

# 4

### PART LISTING / PRICE LIST

MODEL No.

C1660-900

ITEM	PART NUMBER	MODELS TO FIT	PART DESCRIPTION	LIST COST
1	92001029	C1660-900	SWITCH MOUNT COVER - NAME PLATE	N.L.A.
2	28166001	C1660-900	SWITCH	4.63
3	92001009	C1660-900	SWITCH MOUNT	2.47
4	21447242	C1660-900	SCREW - SELF TAPPING	1.07
5	92001013	C1660-900	HANDLE COVER / CARRYING HANDLE	N.L.A.
6	92001028	C1660-900	DIRT CUP LID	4.31
7	92001065	C1660-900	LATCH ACTUATOR LID	1.07
8	38775115	C1660-900	DIRT CUP	38.87
9	40140201	C1660-900	CARTRIDGE FILTER - DIRT CUP	14.18
10	36426067	C1660-900	PRE-FILTER SUPPORT ASSEMBLY	9.71
11	21447269	C1660-900	SCREW	.54
12	92001014	C1660-900	UPPER HANDLE ASSEMBLY	16.19
13	91001051	C1660-900	SURGE BUTTON	1.07
14	28179106	C1660-900	SURGE SWITCH WITH LEADS	4.31
15	92001008	C1660-900	HANDLE RETAINER COVER	3.23
16	21447072	C1660-900	SCREW	.54
17	90001100	C1660-900	CORD WRAP	2.15
18	92001012	C1660-900	DIRT DUCT COVER	4.31
19	36131121	C1660-900	TRUNNION - UPPER HANDLE	1.07
20	92001063	C1660-900	PIVOT LATCH LEVER	1.39
21	38355016	C1660-900	PIVOT LATCH SPRING	1.07
22	92001010	C1660-900	BACK PANEL / DIRT CUP HOUSING	28.07
23	92001003	C1660-900	UPPER WAND HOLDER	1.07
24	38634092	C1660-900	EXTENSION TUBE - 14"	7.01
25	92001004	C1660-900	LOWER WAND HOLDER	1.07
26	38617031	C1660-900	CREVICE TOOL - LONG	5.39
27	43414197	C1660-900	DUSTING BRUSH ASSEMBLY - BLACK	2.55
28	38614044	C1660-900	FURNITURE NOZZLE	5.39
29	27478611	C1660-900	STRAIN RELIEF	2.47
30	38785020	C1660-900	INLET SEAL - DIRT CUP	1.93
31	46851035	C1660-900	PCB ASSEMBLY	11.87
32	34123058	C1660-900	PCB SUPPORT	.81
33	92001007	C1660-900	WIRE CHANNEL COVER	N.L.A.
34	38785021	C1660-900	EXHAUST SEAL	1.39
35	38765024	C1660-900	FINAL FILTER / EXHAUST	2.49
36	21447228	C1660-900	SCREW - SELF TAPPING	.54

FOR VACUUM CLEANER PARTS PLEASE CALL 608-836-7771



# COMMERCIAL

## *Twin Chamber*

# 4

### PART LISTING / PRICE LIST

ITEM	PART NUMBER	MODELS TO FIT	PART DESCRIPTION	LIST COST
37	39383123	C1660-900	LENS / FINAL FILTER RETAINER	2.15
38	92001005	C1660-900	MOTOR COVER	9.71
39	27313107	C1660-900	BULB	.77
40	27341505	C1660-900	LAMP SOCKET ASSEMBLY	4.31
41	36322037	C1660-900	MOTOR MOUNT -LARGE	4.31
42	43576180	C1660-900	MOTOR ASSEMBLY	75.59
43	36322030	C1660-900	MOTOR MOUNT - SMALL	1.07
44	28382097	C1660-900	THERMAL PROTECTOR	7.12
45	39411001	C1660-900	FOAM MOTOR MUFFLER	2.47
46	91001011	C1660-900	POWER CORD	10.79
	91001010	C1660-900	EXTENSION CORD - 35'	23.21
47	43431224	C1660-900	HOSE ASSEMBLY	16.19

MODEL No.

C1660-900



# COMMERCIAL

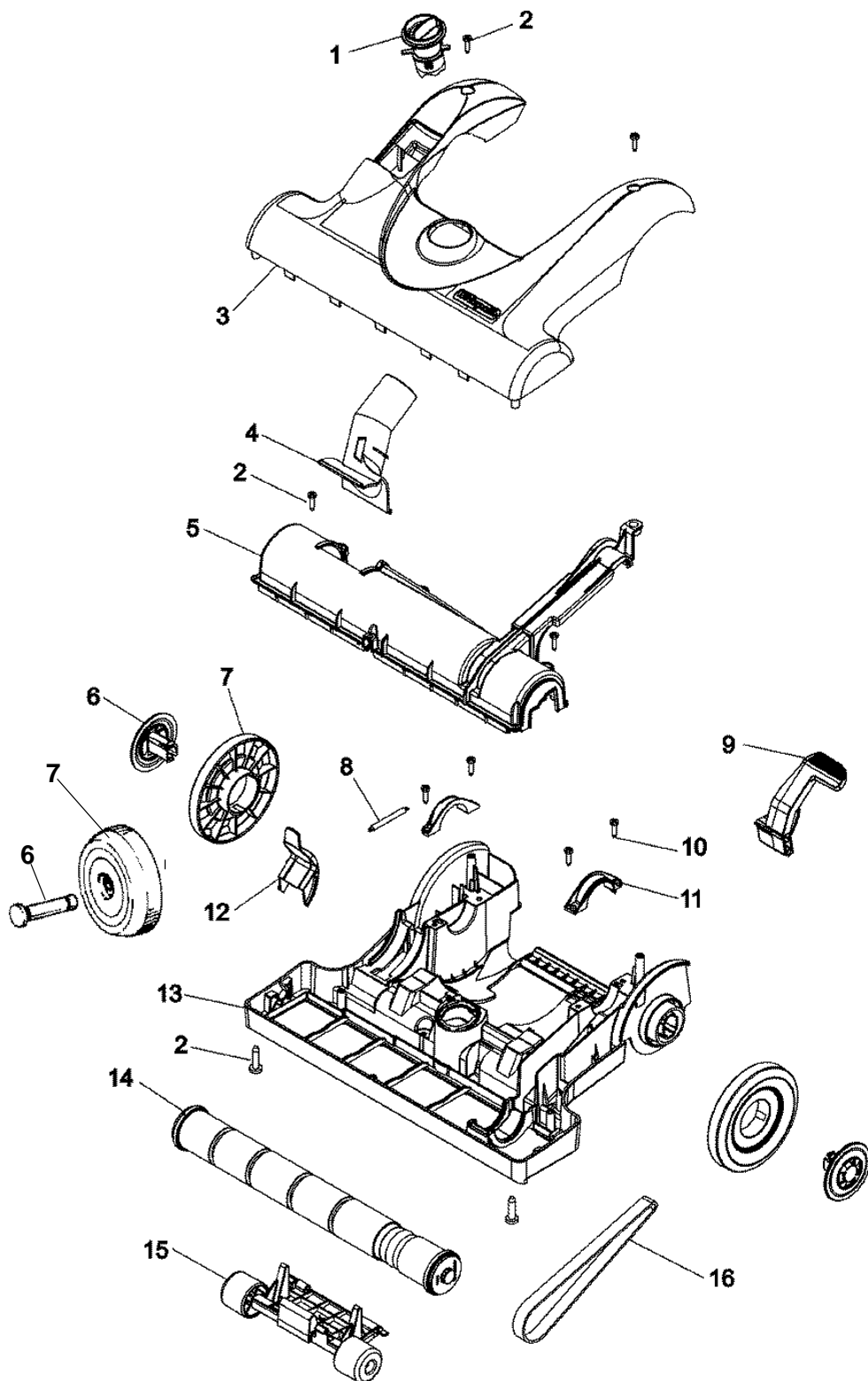
## Twin Chamber

4

### ASSEMBLY SCHEMATIC

[MODEL No.](#)

C1660-900



FOR VACUUM CLEANER PARTS PLEASE CALL 608-836-7771



# COMMERCIAL

## *Twin Chamber*

# 4

### PART LISTING / PRICE LIST

ITEM	PART NUMBER	MODELS TO FIT	PART DESCRIPTION	LIST COST
1	92001011	C1660-900	NOZZLE HEIGHT ADJUSTMENT CAM	1.61
2	21447072	C1660-900	SCREW	.54
3	92001006	C1660-900	HOOD / NOZZLE COVER - 15"	21.59
4	38646087	C1660-900	LOWER DUCT	2.80
5	37243047	C1660-900	AGITATOR HOUSING	9.71
6	37912018	C1660-900	WHEEL HUB - SNAP IN	1.07
	32434019	C1660-900	WHEEL AXLE	1.59
7	38522086	C1660-900	REAR WHEEL - SNAP IN	2.15
	90001222	C1660-900	REAR WHEEL	4.31
8	38335026	C1660-900	DEBRIS DOOR SPRING	1.07
9	38458070	C1660-900	HANDLE RELEASE LEVER	2.15
10	21447242	C1660-900	SCREW - SELF TAPPING	1.07
11	36131118	C1660-900	TRUNNION COVER	1.07
12	37257312	C1660-900	DEBRIS DOOR	1.07
13	37242146	C1660-900	BODY / NOZZLE BASE - SNAP IN WHEELS	15.11
	37242156	C1660-900	BODY / NOZZLE BASE - REVISED	19.30
14	48414132	C1660-900	AGITATOR ASSEMBLY - 15"	21.59
15	90001005	C1660-900	FRONT WHEEL ASSEMBLY	4.31
16	38528040	C1660-900	BELT	2.79

MODEL No.

C1660-900