



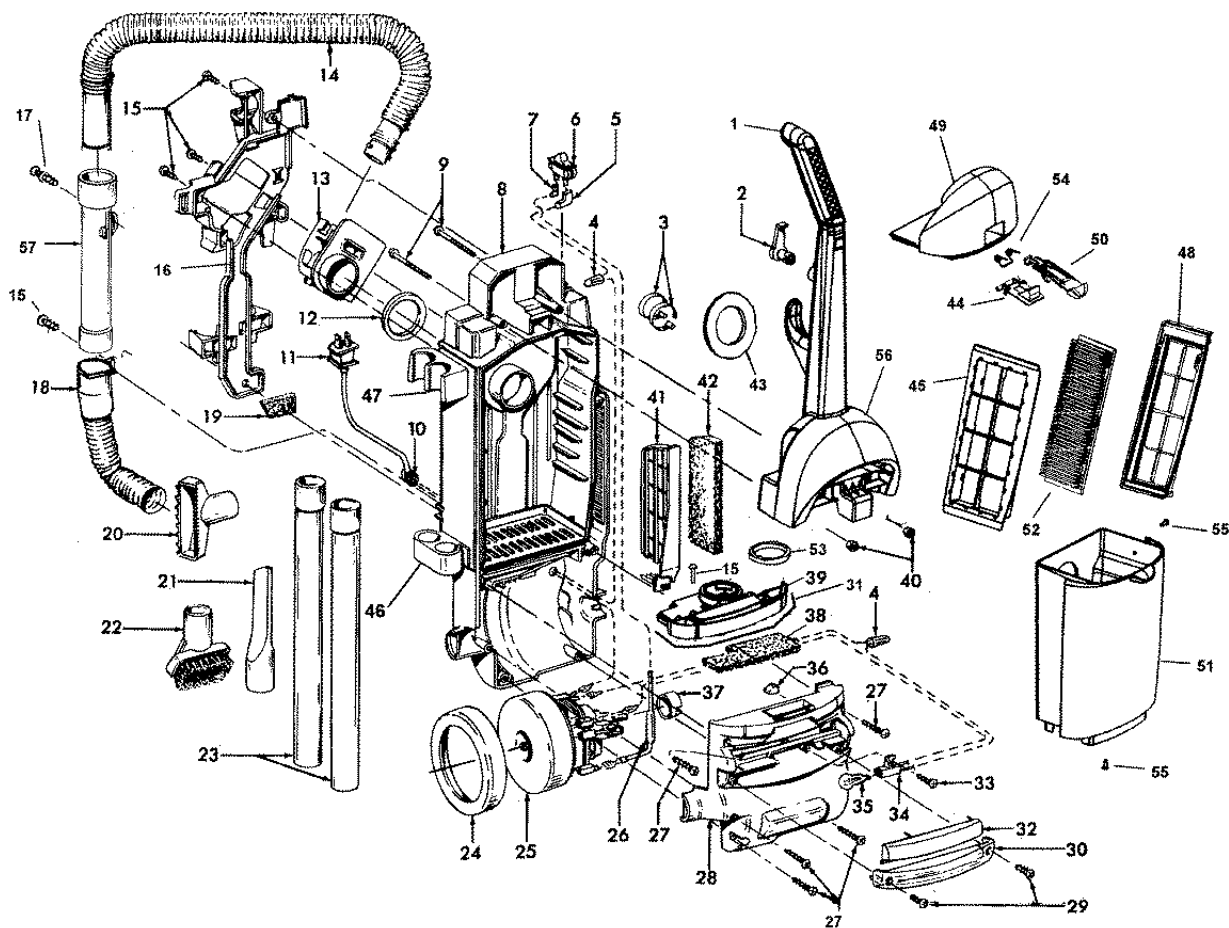
# WindTunnel™

4

## ASSEMBLY SCHEMATIC

MODEL NO.

C1701



FOR VACUUM CLEANER PARTS PLEASE CALL 608-836-7771



# WindTunnel™

# 4

## PART LISTING / PRICE LIST

MODEL No.

C1701

ITEM	PART NUMBER	MODELS TO FIT	PART DESCRIPTION	LIST COST
1	39466065	C1701	UPPER HANDLE	11.87
2	3944201P	C1701	CORD WRAP	1.07
3	27479307	C1701	CABLE TIE	.22
4	27618508	C1701	WIRE CONNECTOR	1.07
5		C1701	TERMINAL	-
6	28161067	C1701	SWITCH - 1/4" TERMINAL	1.35
7		C1701	TERMINAL	-
8	37259003	C1701	UPPER HOUSING - INCLUDES UPPER AND LOWER WAND HOLDER	19.43
9	40201149	C1701	HANDLE HARDWARE ASSEMBLY	2.15
10	27482231	C1701	STRAIN RELIEF	1.07
11	46583058	C1701	POWER CORD - 40'	21.84
12	31178017	C1701	HOSE CONNECTOR GASKET	1.07
13	38641005	C1701	DIRT DUCT	2.47
14	43434031	C1701	HOSE ASSEMBLY COMPLETE	18.89
15	21447242	C1701	SCREW - SELF TAPPING	1.07
16	92001070	C1701	TOOL HOLDER	3.77
17	23149002	C1701	SCREW - SELF TAPPING	.54
18	43431005	C1701	HOSE DOOR ASSEMBLY	8.63
19	43411004	C1701	WIRE OPENING SEAL	N.L.A.
20	38614044	C1701	FURNITURE NOZZLE	5.39
21	38617027	C1701	CREVICE TOOL	1.79
22	43414197	C1701	DUSTING BRUSH ASSEMBLY - BLACK	2.55
23	38634078	C1701	EXTENSION TUBE	6.47
24	36322037	C1701	MOTOR MOUNT - LARGE	4.31
25	43576180	C1701	MOTOR ASSEMBLY	75.59
	43566016	C1701	FAN	3.77
	41311017	C1701	MOTOR BRUSH	4.63
26	28382086	C1701	THERMAL PROTECTOR	7.12
	51873001	C1701	LABEL	1.07
27	21447230	C1701	SCREW - SELF TAPPING	1.07
28	37196159	C1701	MOTOR COVER	8.63
29	21447228	C1701	SCREW - SELF TAPPING	.54
30	39383107	C1701	LENS	2.47
31	38781061	C1701	ROPE SEAL GASKET	N.L.A.
32	37944010	C1701	COVER	1.08

FOR VACUUM CLEANER PARTS PLEASE CALL 608-836-7771



# WindTunnel™

# 4

## PART LISTING / PRICE LIST

MODEL No.

C1701

ITEM	PART NUMBER	MODELS TO FIT	PART DESCRIPTION	LIST COST
33	21447072	C1701	SCREW	.54
34	47173027	C1701	WIRING HARNESS	4.31
35	27313101	C1701	LAMP	1.93
36	34131019	C1701	WIRE OPENING PLUG	1.07
37	36322030	C1701	MOTOR MOUNT - SMALL	1.07
38	38765019	C1701	SECONDARY FILTER	.60
39	36426066	C1701	SECONDARY FILTER RETAINER	3.88
40	21641558	C1701	HEX NUT	1.07
	40201149	C1701	HANDLE HARDWARE ASSEMBLY	2.15
41	36426060	C1701	FILTER HOLDER	1.72
42	40110004	C1701	FINAL FILTER / THREE LAYER - 2 PACK	3.49
	38766008	C1701	FINAL FILTER - BULK	.83
43	38784089	C1701	INTAKE SEAL	3.23
44	36151032	C1701	DIRT CUP LATCH	2.15
45	36426053	C1701	PRE-FILTER SCREEN	4.97
46	36433116	C1701	LOWER WAND HOLDER	2.47
47	36433117	C1701	UPPER WAND HOLDER	2.47
48	36426056	C1701	FILTER SUPPORT WITH OVERMOLD	7.55
49	37249029	C1701	DIRT CUP LID	5.39
50	38421104	C1701	LATCH ACTUATOR	1.39
51	91001054	C1701	DIRT CUP	16.19
52	40110008	C1701	PRIMARY DIRT CUP FILTER	5.75
53	38784084	C1701	DIRT CUP EXHAUST SEAL	2.15
54	38355015	C1701	TORSION SPRING	1.07
55	21447041	C1701	SCREW	.27
56	39458027	C1701	CARRY HANDLE	3.23
57	43457024	C1701	HOSE TUBE ASSEMBLY	4.31
	49811073	C1701	LEAD WIRE - RED	1.07
	39441016	C1701	CORD CLIP	3.23
	21447236	C1701	SCREW - CORD CLIP	1.07
	27478456	C1701	CORD CLAMP	1.07
	43434042	C1701	EXTRA HOSE ASSEMBLY 20' - COMPLETE	32.39

FOR VACUUM CLEANER PARTS PLEASE CALL 608-836-7771



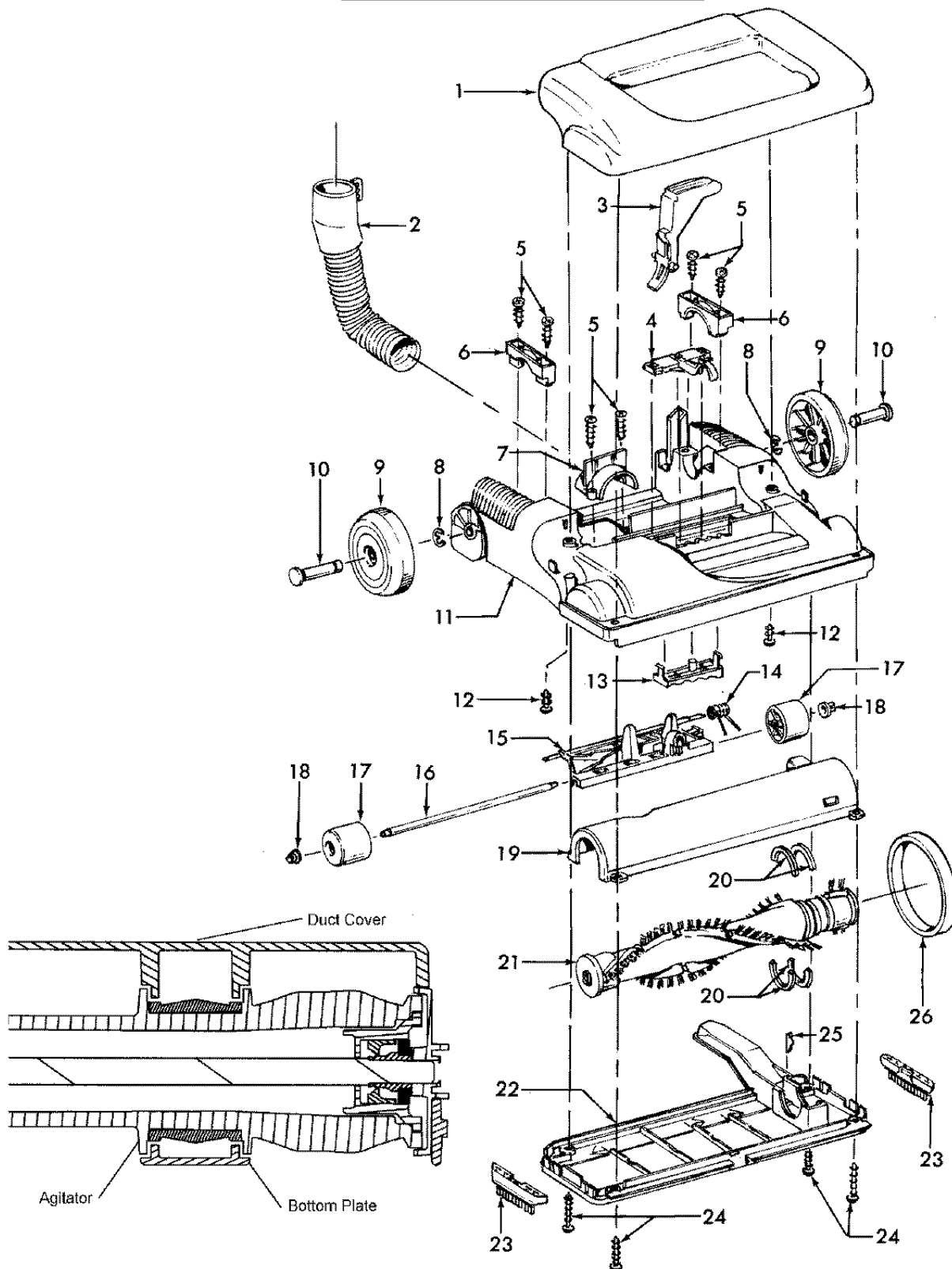
# WindTunnel™

4

## ASSEMBLY SCHEMATIC

MODEL NO.

C1701



FOR VACUUM CLEANER PARTS PLEASE CALL 608-836-7771



# WindTunnel™

# 4

## PART LISTING / PRICE LIST

MODEL No.

C1701

ITEM	PART NUMBER	MODELS TO FIT	PART DESCRIPTION	LIST COST
1	37253291	C1701	HOOD / NOZZLE COVER - 13"	21.59
2	43431005	C1701	HOSE DOOR ASSEMBLY	8.63
3	38458043	C1701	HANDLE RELEASE LEVER	2.15
4	40309004	C1701	NOZZLE ADJUSTMENT LEVER AND CAM KIT	3.01
5	21447072	C1701	SCREW	.54
6	36131094	C1701	TRUNNION COVER	1.07
7	36171044	C1701	HOSE CLAMP	1.07
8	160017--	C1701	LOCK RING	.27
9	43244009	C1701	REAR WHEEL	4.31
10	32434007	C1701	REAR AXLE	1.07
11	37242124	C1701	MAIN BODY NOZZLE BASE - 13"	14.03
12	21447228	C1701	SCREW - SELF TAPPING	.54
13	40309004	C1701	NOZZLE ADJUSTMENT LEVER AND CAM KIT	3.01
14	38355010	C1701	TORSION SPRING	1.07
15	36432027	C1701	FRONT WHEEL SUPPORT	2.15
16	32541003	C1701	WHEEL SHAFT ORDER #17 43248064	N.L.A.
17	43248064	C1701	FRONT WHEEL ASSEMBLY	8.63
18	36131056	C1701	WHEEL RETAINER	.54
19	40309025	C1701	BOTTOM PLATE / DUCT - 13"	16.19
20	38781053	C1701	AGITATOR PULLEY SEAL	.32
21	48414110	C1701	AGITATOR ASSEMBLY - 13"	21.59
22	40309025	C1701	BOTTOM PLATE / DUCT COVER - 13"	16.19
23	39511018	C1701	LITTER PICKER - BLACK	2.15
24	21447121	C1701	SCREW	.54
25	013261AY	C1701	RIB SHOE	.54
26	38528033	C1701	BELT	1.15

FOR VACUUM CLEANER PARTS PLEASE CALL 608-836-7771