

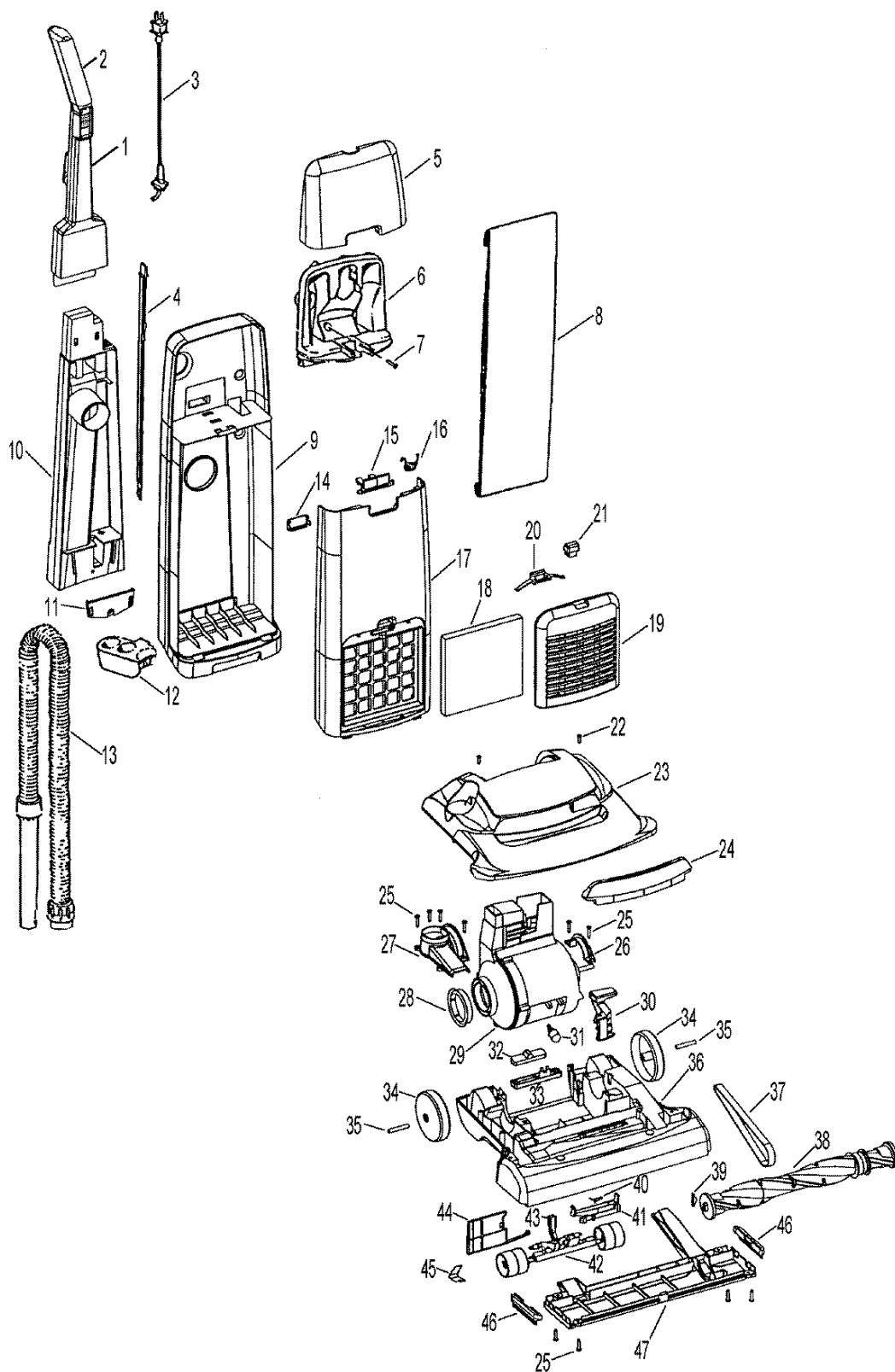


# SOFT GUARD™

3

## ASSEMBLY SCHEMATIC

MODEL No.  
C1702-900



FOR VACUUM CLEANER PARTS PLEASE CALL 608-836-7771



# SOFT GUARD™

# 3

## PART LISTING / PRICE LIST

MODEL No.

C1702-900

ITEM	PART NUMBER	MODELS TO FIT	PART DESCRIPTION	LIST COST
1	48663209	C1702-900	UPPER HANDLE	18.89
2	37911078	C1702-900	HANDLE CAP	1.39
3	46388034	C1702-900	POWER CORD	38.87
4	38458046	C1702-900	SWITCH ROD -LOWER	1.72
5		C1702-900	COVER	-
6	36433125	C1702-900	TOOL HOLDER	8.63
7	21447232	C1702-900	SCREW - SELF TAPPING	.54
8	43667053	C1702-900	REUSABLE CLOTH BAG ASSEMBLY	32.39
	4010100Z	C1702-900	TYPE Z ALLERGEN PAPER BAG - 3 PACK	3.62
9	37255021	C1702-900	BACK PANEL / BAG HOUSING	28.07
10	39464025	C1702-900	LOWER HANDLE	12.95
11	36425081	C1702-900	BAG HOUSING BRACKET	2.47
12	36433113	C1702-900	LOWER HOSE SUPPORT	2.69
13	43434101	C1702-900	HOSE ASSEMBLY	32.39
14	37258051	C1702-900	LATCH PLUG	N.A.
15	36151013	C1702-900	LATCH	2.15
16	38355008	C1702-900	SPRING	1.39
17	37254138	C1702-900	BAG HOUSING DOOR	21.59
18	40110003	C1702-900	FINAL FILTER - 2 PACK	3.49
19	37257246	C1702-900	FILTER RETAINER	9.17
20	36151025	C1702-900	LATCH	1.07
21	38426090	C1702-900	LATCH BUTTON	.78
22	21447218	C1702-900	SCREW - SELF TAPPING	1.07
23	42252A62	C1702-900	HOOD / NOZZLE COVER	25.91
24	39383108	C1702-900	LENS	2.47
25	21447217	C1702-900	SCREW - SELF TAPPING	1.07
26	36131090	C1702-900	MOTOR RETAINER	.56
27	38656033	C1702-900	DUCT COVER	2.80
28	38784016	C1702-900	SEAL	1.39
29	43576201	C1702-900	MOTOR ASSEMBLY	75.59
30	38458053	C1702-900	HANDLE RELEASE LEVER	2.80
31	27313101	C1702-900	LAMP	1.93
32	38567014	C1702-900	INDICATOR KNOB	1.39
33	38567027	C1702-900	CAM ACTUATOR	1.07
34	38522011	C1702-900	REAR WHEEL	2.15
35	31531008	C1702-900	WHEEL SHAFT	1.07

FOR VACUUM CLEANER PARTS PLEASE CALL 608-836-7771



# SOFT GUARD™

# 3

## PART LISTING / PRICE LIST

MODEL No.

C1702-900

ITEM	PART NUMBER	MODELS TO FIT	PART DESCRIPTION	LIST COST
36	37241166	C1702-900	NOZZLE BASE - 15" INCLUDES REAR WHEELS	32.39
37	38528040	C1702-900	BELT	2.79
38	48414061	C1702-900	AGITATOR / BRUSH ROLL ASSEMBLY	21.59
39	013261AY	C1702-900	RIB SHOE	.54
40	38351012	C1702-900	SPRING	1.39
41	38563013	C1702-900	NOZZLE HEIGHT ADJUSTMENT CAM	2.15
42	43248058	C1702-900	FRONT WHEEL ASSEMBLY	6.47
43		C1702-900	LEVER ORDER #43248058	-
44	38718005	C1702-900	VAVLE GATE	2.15
45	34572002	C1702-900	CAM ACTUATOR SPRING	1.07
46	39511018	C1702-900	LITTER PICKER - BLACK	2.15
47	37245035	C1702-900	BOTTOM PLATE / NOZZLE GUARD	16.19
	40201085	C1702-900	NUT AND BOLT ASSEMBLY	.59
	43414146	C1702-900	DUSTING BRUSH ASSEMBLY	7.55
	38614036	C1702-900	FURNITURE NOZZLE	5.39
	38617026	C1702-900	CREVICE TOOL	5.39
	38634078	C1702-900	EXTENSION TUBE	6.47
	58366099	C1702-900	BAG SUPPORT	N.L.A.
	58369067	C1702-900	CLEANER SUPPORT	N.L.A.

FOR VACUUM CLEANER PARTS PLEASE CALL 608-836-7771



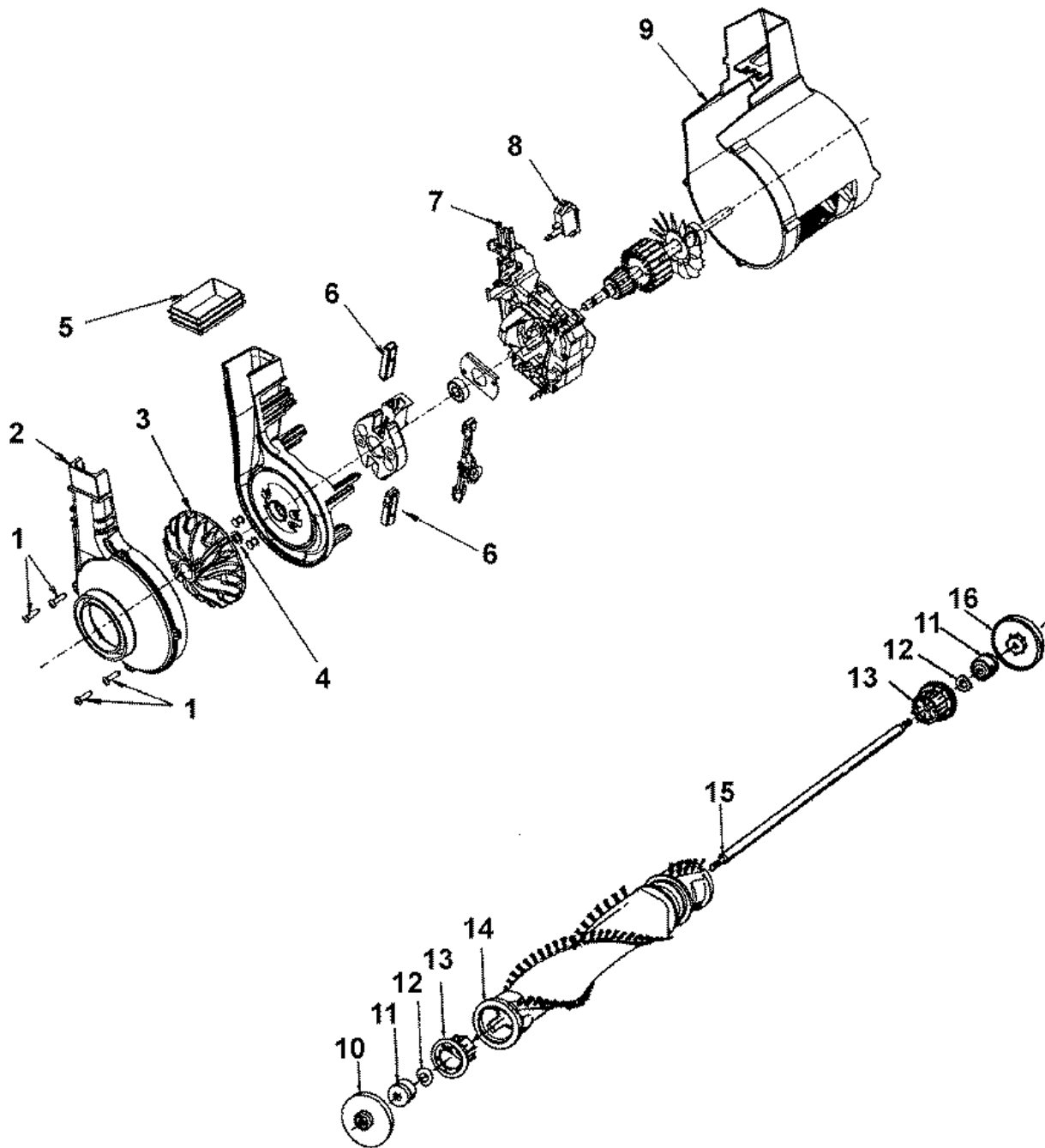
# SOFT GUARD™

3

## ASSEMBLY SCHEMATIC

MODEL NO.

C1702-900



FOR VACUUM CLEANER PARTS PLEASE CALL 608-836-7771



# SOFT GUARD™

# 3

## PART LISTING / PRICE LIST

ITEM	PART NUMBER	MODELS TO FIT	PART DESCRIPTION	LIST COST
1	214793DA	C1702-900	SCREW - SELF TAPPING 5/8"	.54
2	38736033	C1702-900	FAN CHAMBER	2.91
3	43565006	C1702-900	FAN / NUT ASSEMBLY	6.47
4	21312793	C1702-900	WASHER	.54
5	38783020	C1702-900	DUCT SEAL - MOLDED	1.39
6	41311022	C1702-900	MOTOR BRUSH	3.55
7	36914006	C1702-900	SWITCH BAR	1.07
8	28161068	C1702-900	ROCKER SWITCH	3.77
9	37194049	C1702-900	MOTOR END CAP	10.79
10	36423016	C1702-900	THREAD GUARD - RIGHT	1.39
11	43267002	C1702-900	AGITATOR BEARING ASSEMBLY	2.47
12	21347003	C1702-900	CONICAL WASHER	1.07
13	36422022	C1702-900	AGITATOR END	1.61
14		C1702-900	AGITATOR BODY	-
15		C1702-900	AGITATOR ROD	-
16	36423017	C1702-900	THREAD GUARD - LEFT	1.39
	43576201	C1702-900	MOTOR ASSEMBLY	75.59

MODEL No.

C1702-900