



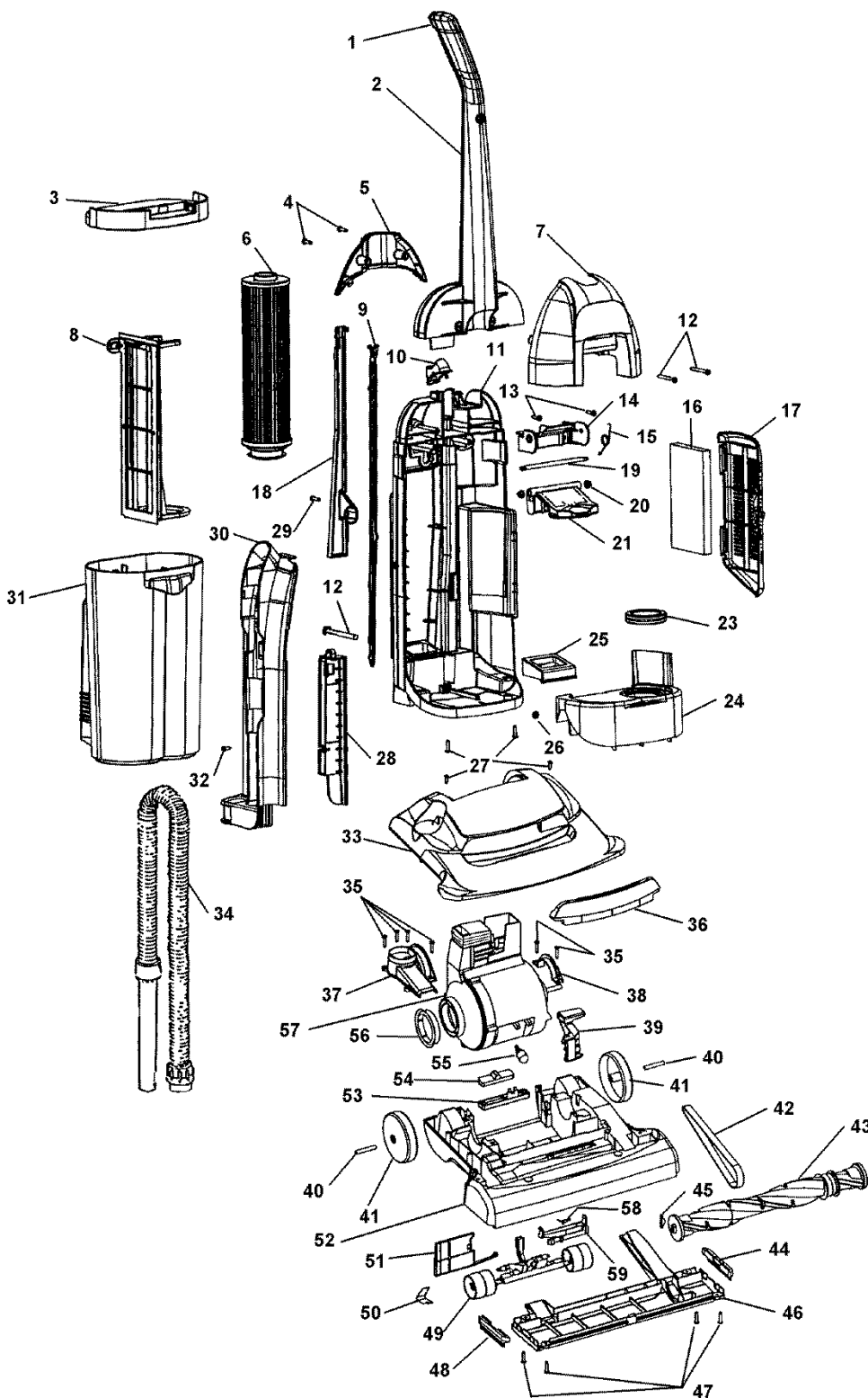
# COMMERCIAL

## Twin Chamber

4

### ASSEMBLY SCHEMATIC

MODEL NO.  
C1710-900



FOR VACUUM CLEANER PARTS PLEASE CALL 608-836-7771



# COMMERCIAL

## Twin Chamber

# 4

### PART LISTING / PRICE LIST

MODEL No.

C1710-900

ITEM	PART NUMBER	MODELS TO FIT	PART DESCRIPTION	LIST COST
1	37911078	C1710-900	HANDLE CAP	1.39
2	39466041	C1710-900	UPPER HANDLE WITH CADDY	19.43
3	42249005	C1710-900	DIRT CUP LID	8.63
4	21447072	C1710-900	SCREW	.54
5	37258132	C1710-900	HANDLE COVER - REAR	2.80
6	40140201	C1710-900	CARTRIDGE FILTER - DIRT CUP	14.18
7	37258160	C1710-900	HANDLE COVER - FRONT	10.79
8	36426043	C1710-900	PRE-FILTER - DIRT CUP	11.87
9	38458057	C1710-900	SWITCH ROD	2.80
10	38433036	C1710-900	ROCKER SWITCH	3.77
11	37259002	C1710-900	BACK PANEL / DIRT CUP HOUSING	37.97
12	40201189	C1710-900	HANDLE HARDWARE ASSEMBLY	1.39
13	21447072	C1710-900	SCREW	.54
14	36153065	C1710-900	LATCH SUPPORT	3.23
15	38355013	C1710-900	SPRING	N.L.A.
16	40110004	C1710-900	FINAL FILTER / EXHAUST - 12 PACK	3.49
17	37257261	C1710-900	FILTER GRILL	3.23
18	37258052	C1710-900	REAR COVER	N.L.A.
19	32541004	C1710-900	LATCH SHAFT	1.39
20	36131056	C1710-900	WHEEL RETAINER	.54
21	36153064	C1710-900	DIRT CUP LATCH	N.L.A.
22		C1710-900	PART NOT AVAILABLE	-
23	38784079	C1710-900	EXHAUST SEAL	2.15
24	37249016	C1710-900	FRONT COVER	N.L.A.
25	38783026	C1710-900	INTAKE SEAL	3.55
26	21641557	C1710-900	NUT	.54
27	21447218	C1710-900	SCREW - SELF TAPPING	1.07
28	36923011	C1710-900	TOOL RACK GUIDE	2.47
29	21447242	C1710-900	SCREW - SELF TAPPING	1.07
30	36433145	C1710-900	TOOL RACK	18.35
31	38775072	C1710-900	DIRT CUP	25.10
32	40201189	C1710-900	HANDLE HARDWARE ASSEMBLY	1.39
33	42252B36	C1710-900	HOOD / NOZZLE COVER	25.91
34	43434101	C1710-900	HOSE ASSEMBLY	32.39
35	21447217	C1710-900	SCREW - SELF TAPPING	1.07
36	39383112	C1710-900	LENS	2.47

FOR VACUUM CLEANER PARTS PLEASE CALL 608-836-7771



# COMMERCIAL

## *Twin Chamber*

# 4

### PART LISTING / PRICE LIST

MODEL No.

C1710-900

ITEM	PART NUMBER	MODELS TO FIT	PART DESCRIPTION	LIST COST
37	38656033	C1710-900	DUCT COVER	2.80
38	36131090	C1710-900	MOTOR RETAINER	.56
39	38458053	C1710-900	HANDLE RELEASE LEVER	2.80
40	31531008	C1710-900	WHEEL SHAFT	1.07
41	38522011	C1710-900	REAR WHEEL	2.15
42	38528040	C1710-900	BELT	2.79
43	48414061	C1710-900	AGITATOR ASSEMBLY	21.59
44	39511004	C1710-900	LITTER PICKER	.43
45	013261AY	C1710-900	RIB SHOE	.54
46	37245035	C1710-900	BOTTOM PLATE / NOZZLE GUARD	16.19
47	21447217	C1710-900	SCREW - SELF TAPPING	1.07
48	39511004	C1710-900	LITTER PICKER	.43
49	43248058	C1710-900	FRONT WHEEL ASSEMBLY	6.47
50	34572002	C1710-900	CAM ACTUATOR SPRING	1.07
51	38718005	C1710-900	VALVE GATE	2.15
52	37241166	C1710-900	MAIN BODY / NOZZLE BASE 15"	32.39
53	38567027	C1710-900	CAM ACTUATOR	1.07
54	38567014	C1710-900	INDICATOR KNOB	1.39
55		C1710-900	BULB	-
56	38784016	C1710-900	SEAL	1.39
57	43576201	C1710-900	MOTOR ASSEMBLY	75.59
58	38351012	C1710-900	SPRING	1.39
59	38563013	C1710-900	NOZZLE HEIGHT ADJUSTMENT	2.15
	39441016	C1710-900	CORD CLIP	3.23
	46388034	C1710-900	POWER CORD	38.87
	43414197	C1710-900	DUSTING BRUSH ASSEMBLY - BLACK	2.55
	38614044	C1710-900	FURNITURE NOZZLE	5.39
	38617029	C1710-900	CREVICE TOOL	2.04
	38634078	C1710-900	EXTENSION TUBE	6.47

FOR VACUUM CLEANER PARTS PLEASE CALL 608-836-7771

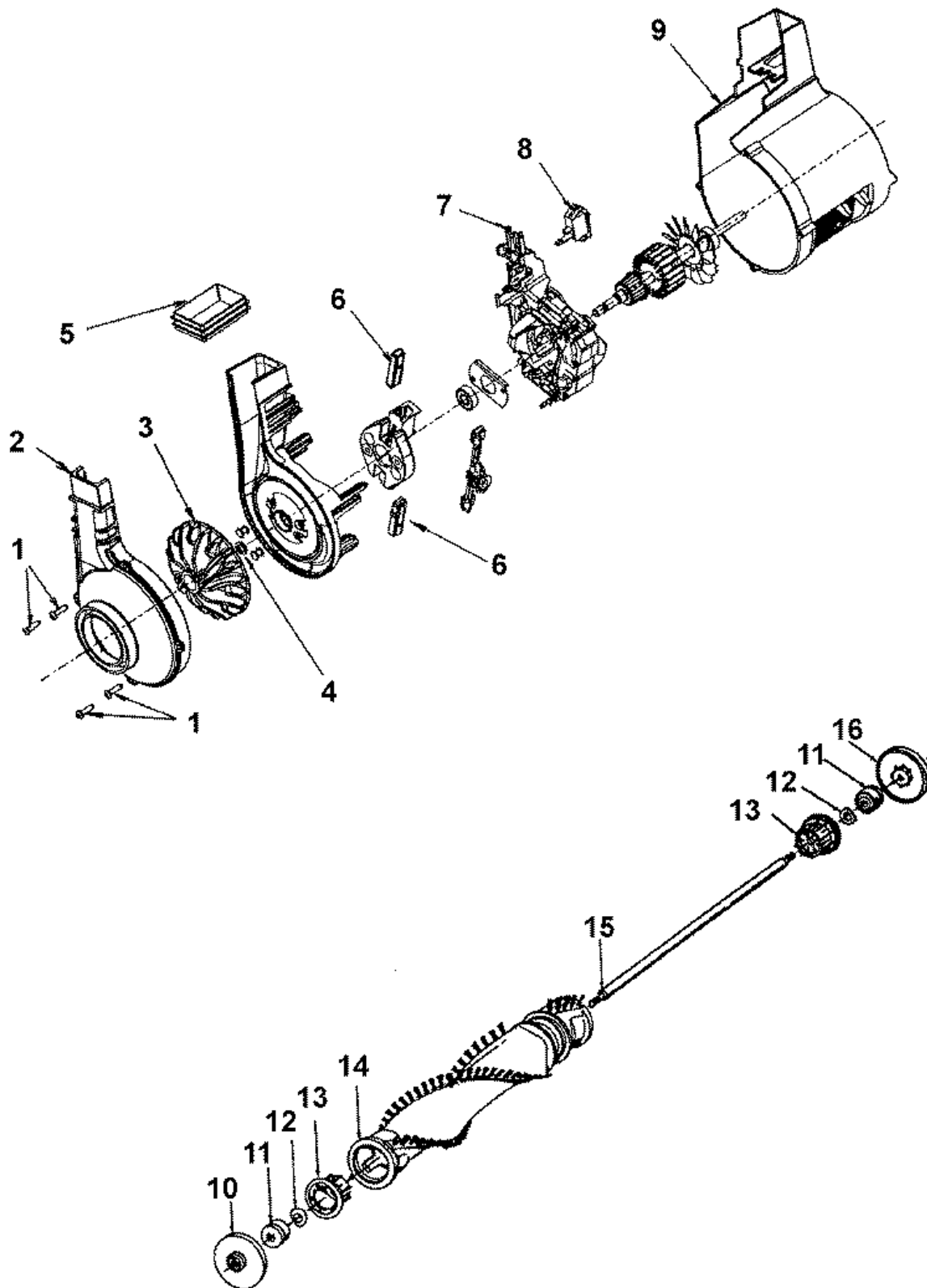


# COMMERCIAL

## *Twin Chamber*

4

### ASSEMBLY SCHEMATIC



MODEL NO.  
C1710-900

FOR VACUUM CLEANER PARTS PLEASE CALL 608-836-7771



# COMMERCIAL

## *Twin Chamber*

# 4

### PART LISTING / PRICE LIST

MODEL No.

C1710-900

ITEM	PART NUMBER	MODELS TO FIT	PART DESCRIPTION	LIST COST
1	214793DA	C1710-900	SCREW - SELF TAPPING 5/8"	.54
2	38736033	C1710-900	FAN CHAMBER	2.91
3	43565006	C1710-900	FAN AND NUT ASSEMBLY	6.47
4	21312793	C1710-900	WASHER	.54
5	38783020	C1710-900	DUCT SEAL - MOLDED	1.39
6	41311022	C1710-900	MOTOR BRUSH	3.55
7	36914006	C1710-900	SWITCH BAR	1.07
8	28161068	C1710-900	ROCKER SWITCH	3.77
9	37194049	C1710-900	MOTOR END CAP WITH HEADLIGHT	10.79
10	36423016	C1710-900	THREAD GUARD - RIGHT	1.39
11	43267002	C1710-900	AGITATOR BEARING ASSEMBLY	2.47
12	21347003	C1710-900	CONICAL WASHER	1.07
13	36422022	C1710-900	AGITATOR END	1.61
14		C1710-900	AGITATOR TUBE	-
15		C1710-900	AGITATOR BAR	-
16	36423017	C1710-900	THREAD GUARD - LEFT	1.39
	43576201	C1710-900	MOTOR ASSEMBLY	75.59

FOR VACUUM CLEANER PARTS PLEASE CALL 608-836-7771