



CONQUEST™

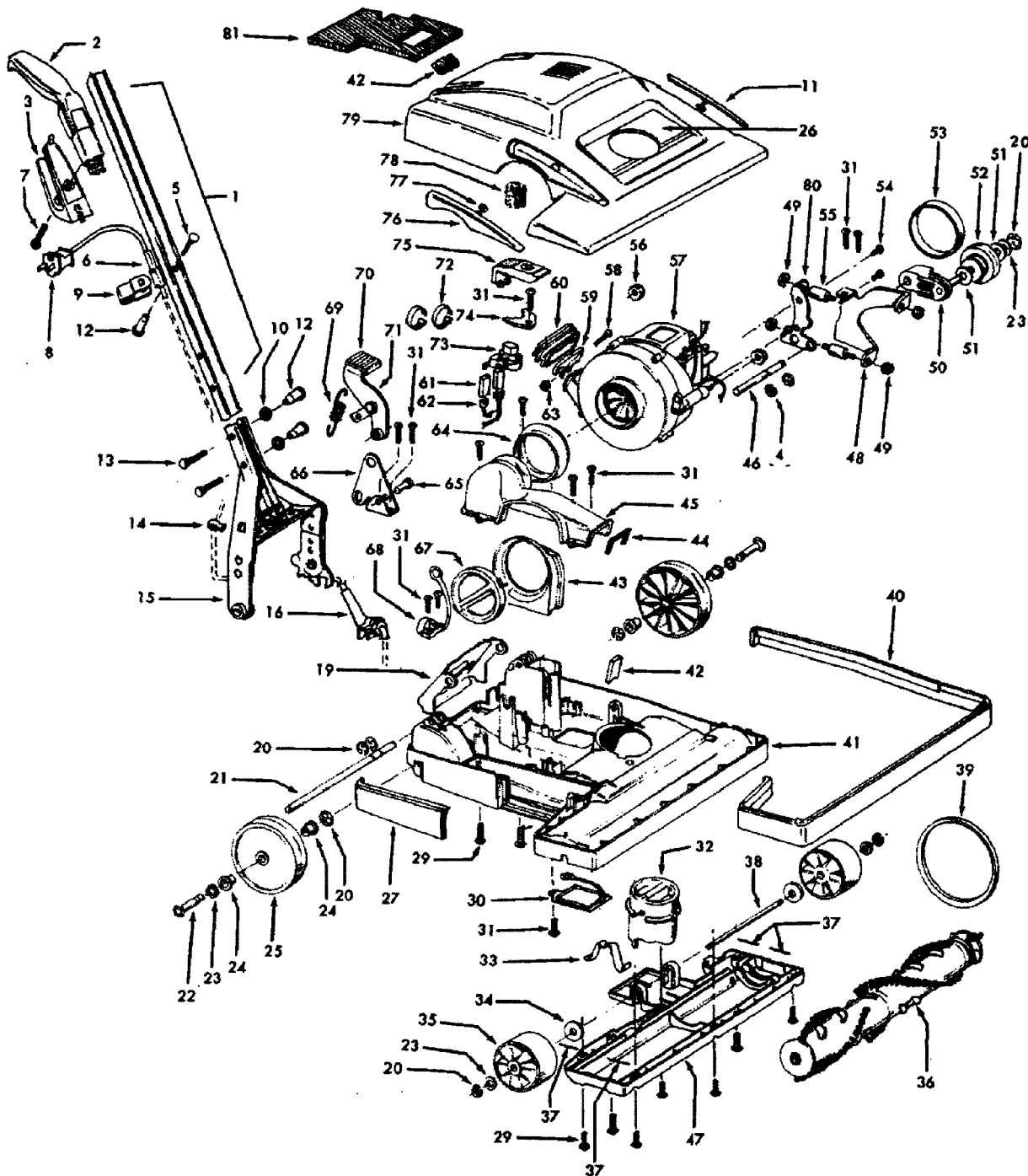
1

ASSEMBLY SCHEMATIC

MODEL NO.

C1810

FOR VACUUM CLEANER PARTS PLEASE CALL 608-836-7771





CONQUEST™

1

PART LISTING / PRICE LIST

MODEL No.

C1810

ITEM	PART NUMBER	MODELS To FIT	PART DESCRIPTION	LIST COST
1	39467069	C1810	HANDLE	N.L.A.
	48631149	C1810	HANDLE ASSEMBLY COMPLETE	32.39
	36222014	C1810	WEAR STRIP -LEFT	2.11
2	39454060	C1810	HANDLE GRIP	4.48
3	39442017	C1810	CORD HOOK	4.31
4	013730--	C1810	LOCK RING	.38
5	21631301	C1810	HANDLE CLAMP BOLT	1.07
6	36215025	C1810	CORD PROTECTOR	1.93
7	21447215	C1810	SCREW - SELF TAPPING	.75
8	91001025	C1810	POWER CORD	21.59
9	36172040	C1810	CPRD RETAINER CLAMP	3.23
10	013704--	C1810	LOCK WASHER	.33
11	36222012	C1810	WEAR STRIP - LEFT	2.80
12	32277008	C1810	HANDLE CLAMP NUT	1.07
13	21831024	C1810	HANDLE BOLT	1.07
14	36172015	C1810	CORD RETAINER	1.72
15	41416022	C1810	BAIL / HANDLE FORK ASSEMBLY	53.99
16	36216008	C1810	CORD PROTECTOR	3.01
19	42256106	C1810	EXHAUST FLANGE	4.31
20	160017--	C1810	LOCK RING	.27
21	32563009	C1810	BAIL / HANDLE FORK SHAFT	3.23
22	32512001	C1810	REAR WHEEL	2.15
23	163110--	C1810	WASHER	.38
24	162143--	C1810	REAR WHEEL BEARING	1.39
25	38522036	C1810	REAR WHEEL	3.23
26	51353002	C1810	HOOD NAME PLATE - C1820	7.55
27	36231154	C1810	FURNITURE GUARD - SHORT	6.47
29	21447215	C1810	SCREW - SELF TAPPING	.75
30	35121001	C1810	ACCESS DOOR	2.15
31	21447003	C1810	SCREW	.54
32	36436005	C1810	HEIGHT ADJUSTMENT CAP	7.55
33	38381005	C1810	SPRING	1.72
34	21312754	C1810	WASHER	.38
35	38522034	C1810	FRONT WHEEL	3.23
36	48416036	C1810	AGITATOR COMPLETE	53.99
37	34122019	C1810	BOTTOM PLATE / NOZZLE GUARD	N.L.A.

FOR VACUUM CLEANER PARTS PLEASE CALL 608-836-7771



CONQUEST™

1

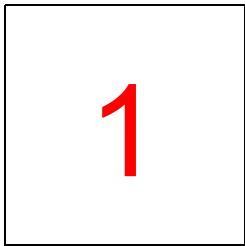
PART LISTING / PRICE LIST

MODEL No.

C1810

ITEM	PART NUMBER	MODELS To FIT	PART DESCRIPTION	LIST COST
38	32543005	C1810	FRONT AXLE	2.80
39	38528013	C1810	V BELT	1.63
40	36231061	C1810	FURNITURE GUARD -LONG	14.03
	41211006	C1810	FURNITURE GUARD - LONG	14.57
41	37241115	C1810	MAIN BODY / NOZZLE BASE	28.19
42	34141005	C1810	MOTOR CUSHION	1.07
	34132019	C1810	MOTOR CUSHION	N.A.
43	41119008	C1810	CAP LOCK ASSEMBLY	7.12
44	34253013	C1810	AIR DUCT GASKET	1.07
45	38657020	C1810	AIR DUCT	5.39
	37257086	C1810	AIR INTAKE DUCT	3.23
46	31534001	C1810	SHAFT PULLEY ARM	2.47
47	37245064	C1810	BOTTOM PLATE / NOZZLE GUARD	15.11
48	36321006	C1810	MOTOR SUPPORT BRACKET	2.47
49	21852158	C1810	NUT	.54
50	43256007	C1810	PULLEY ARM AND SHAFT	18.89
51	31158008	C1810	BEARING	2.47
52	43256002	C1810	PULLEY ASSEMBLY	19.97
53	38528036	C1810	BELT	.85
54	214793DA	C1810	SCREW	.54
55	32724010	C1810	SANDWICH MOUNT	5.39
56	21652005	C1810	HEX NUT	1.07
57	43574106	C1810	MOTOR - 6.5	172.79
58	21765140	C1810	SCREW	.54
59	34797008	C1810	CLAMP BAND	2.80
60	38671008	C1810	EXHAUST FLANGE BELLOW	6.47
61	162961--	C1810	INSULATING POD	1.07
62	163055--	C1810	TERMINAL	1.07
63	015854EF	C1810	NUT	.41
64	38671005	C1810	DUCT BOOT	2.47
65	32215002	C1810	SHAFT	1.07
66	35214009	C1810	FOOT LEVER SUPPORT	3.23
67	37257282	C1810	CAP	4.31
68	27478611	C1810	STRAIN RELIEF	2.47
69	38335008	C1810	SPRING	1.39
70	38426030	C1810	FOOT PAD	1.39

FOR VACUUM CLEANER PARTS PLEASE CALL 608-836-7771



PART LISTING / PRICE LIST

MODEL No.

C1810

ITEM	PART NUMBER	MODELS To FIT	PART DESCRIPTION	LIST COST
71	43151006	C1810	HANDLE RELEASE LEVER	N.L.A.
72	27479307	C1810	CABLE TIE	.22
73	28212009	C1810	SWITCH	9.28
74	36171030	C1810	SWITCH CLAMP	1.07
75	38426047	C1810	SWITCH PEDAL	4.31
76	36222021	C1810	WEAR STRIP -RIGHT	2.15
77	21364102	C1810	SPEED NUT	1.07
78	31164004	C1810	MOTOR CUSHION	1.61
79	37252031	C1810	HOOD / NOZZLE COVER	26.99
80	36321002	C1810	MOUNTING BRACKET	2.47
81	38783005	C1810	INTAKE DUCT GASKET	2.47

FOR VACUUM CLEANER PARTS PLEASE CALL 608-836-7771



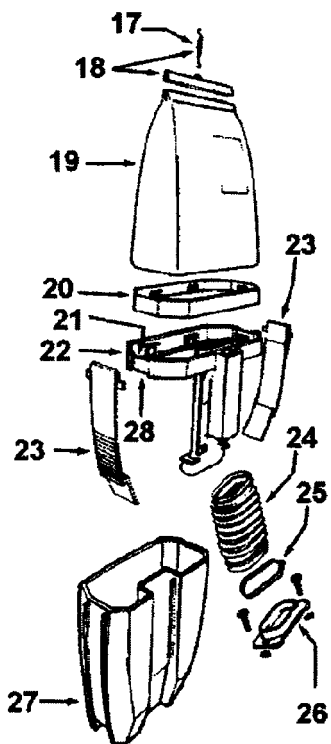
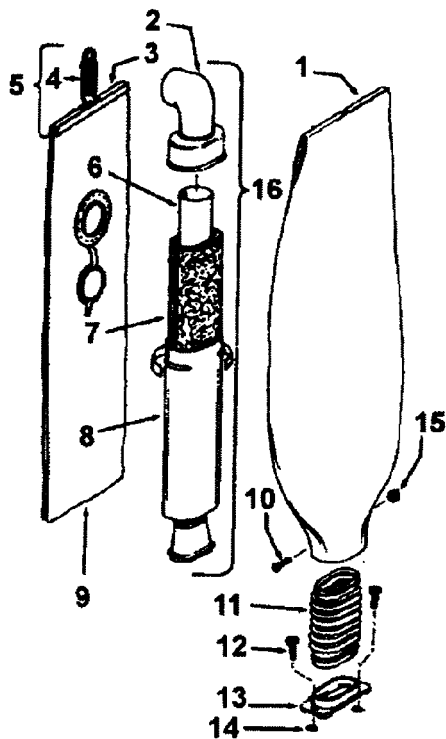
CONQUEST™

1

ASSEMBLY SCHEMATIC

MODEL NO.

C1810



FOR VACUUM CLEANER PARTS PLEASE CALL 608-836-7771



CONQUEST™

1

PART LISTING / PRICE LIST

MODEL No.

C1810

ITEM	PART NUMBER	MODELS To FIT	PART DESCRIPTION	LIST COST
1	43674055	C1810	OUTER BAG ASSEMBLY	51.83
2	38657012	C1810	TOP FILL TUBE	N.L.A.
3	36425033	C1810	BAG CLOSURE CLIP	PENDING
4	38336019	C1810	BAG CLOSURE CLIP SPRING	1.39
5	41128016	C1810	BAG SPRING AND CLIP ASSEMBLY	9.28
6	31746020	C1810	MUFFLER LINER	8.09
7	34133005	C1810	FOAM MUFFLER	3.23
8	37257083	C1810	MUFFLER HOUSING	8.63
9	43667037	C1810	INNER BAG ASSEMBLY	30.23
	43667054	C1810	INNER CLOTH BAG ASSEMBLY	38.87
	4010100A	C1810	ALLERGEN PAPER BAG - 3 PACK	3.62
10	017206--	C1810	SCREW	.38
11	38673010	C1810	BELLOWS	4.63
12	36112002	C1810	SCREW	1.07
13	36425005	C1810	BAG FLANGE	4.31
14	013759--	C1810	LOCK RING	.54
15	015854EF	C1810	NUT	.41
16	42256012	C1810	MUFFLER ASSEMBLY	15.34
17	38336019	C1810	BAG CLOSURE CLIP SPRING	1.39
18	41128016	C1810	BAG SPRING / CLIP ASSEMBLY	9.28
19	43667056	C1810	CLOTH BAG	39.95
20	35173001	C1810	BAG EXPANDER	4.31
21	34122009	C1810	SEAL	1.07
22	41427012	C1810	CUP SUPPORT	47.51
23	36155011	C1810	LATCH	5.93
24	38673001	C1810	BELLOWS	2.68
25	015854EF	C1810	NUT	.41
	017206--	C1810	SCREW	.38
	049044--	C1810	CLAMP BAND	2.47
26	41424018	C1810	BAG FLANGE	8.41
27	38775001	C1810	DIRT CUP	19.43
28	34123020	C1810	GASKET	1.07
	43678060	C1810	OUT BAG COMPLETE	48.60
	48642015	C1810	DIRT CUP ASSEMBLY KIT	N.A.
	43667056	C1810	CLOTH BAG	36.95
	4010001A	C1810	TOP FILL PAPER BAG - 3 PACK	1.67

FOR VACUUM CLEANER PARTS PLEASE CALL 608-836-7771



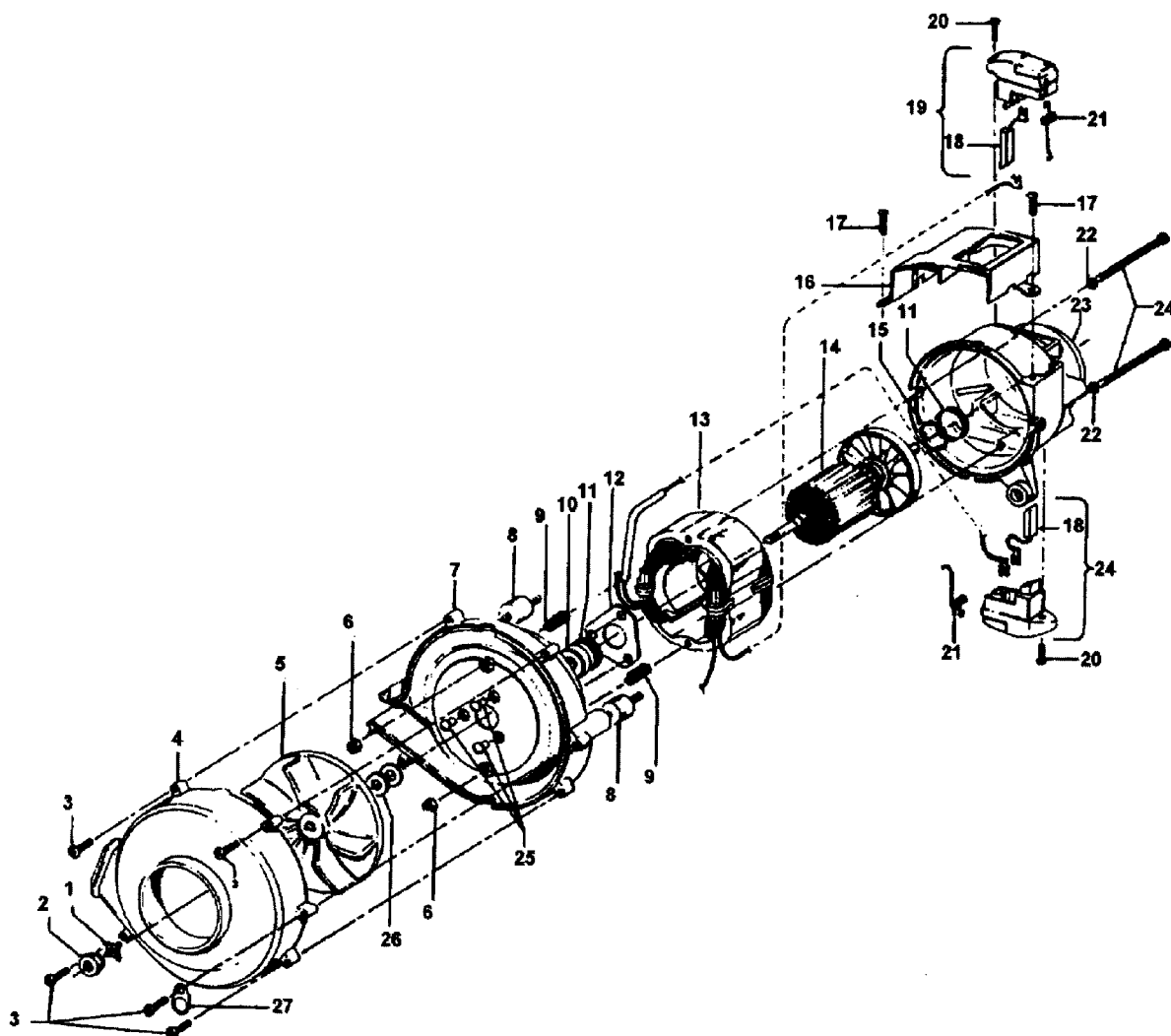
CONQUEST™

1

ASSEMBLY SCHEMATIC

MODEL NO.

C1810



FOR VACUUM CLEANER PARTS PLEASE CALL 608-836-7771



CONQUEST™

1

PART LISTING / PRICE LIST

MODEL No.

C1810

ITEM	PART NUMBER	MODELS To FIT	PART DESCRIPTION	LIST COST
1	36128003	C1810	LOCK WASHER	1.07
2	33426001	C1810	NUT	1.07
3	21447072	C1810	SCREW	.54
4	38736025	C1810	FAN CHAMBER COVER	11.87
5	38755012	C1810	FAN	13.49
6	21641557	C1810	NUT	.54
7	43588018	C1810	FAN CHAMBER ASSEMBLY	25.91
8	32724015	C1810	SANDWICH MOUNT	5.71
9	012854--	C1810	SPRING	1.07
10	24152807	C1810	MOTOR BEARING - 8MM	3.69
11	24198001	C1810	STAR RING	1.07
12	012025--	C1810	MOTOR BEARING RETAINER	.54
13	90001007	C1810	FIELD COIL - 6.5 ORDER 43574106	N.L.A.
14	44765184	C1810	ARMATURE - 5.2	60.47
	44765187	C1810	ARMATURE - 6.5 ORDER 43574106	N.L.A.
15	21345115	C1810	WAVE SPRING WASHER	.85
16	37257086	C1810	AIR INTAKE DUCT	3.23
17	21447041	C1810	SCREW	.27
18	47315010	C1810	BRUSH AND TERMINAL ASSEMBLY	1.40
19	47318008	C1810	BRUSH CARRIER	6.47
20	21479302	C1810	SCREW	.54
21	38353004	C1810	SPRING	1.07
22	21338006	C1810	LOCK WASHER	1.07
23	37191090	C1810	MOTOR HOUSING	11.65
24	21563061	C1810	SCREW	N.L.A.
25	012503EF	C1810	RIVET	.27
26	166563--	C1810	WASHER	.85
27	045517--	C1810	WIRE HOLDER	1.07

FOR VACUUM CLEANER PARTS PLEASE CALL 608-836-7771



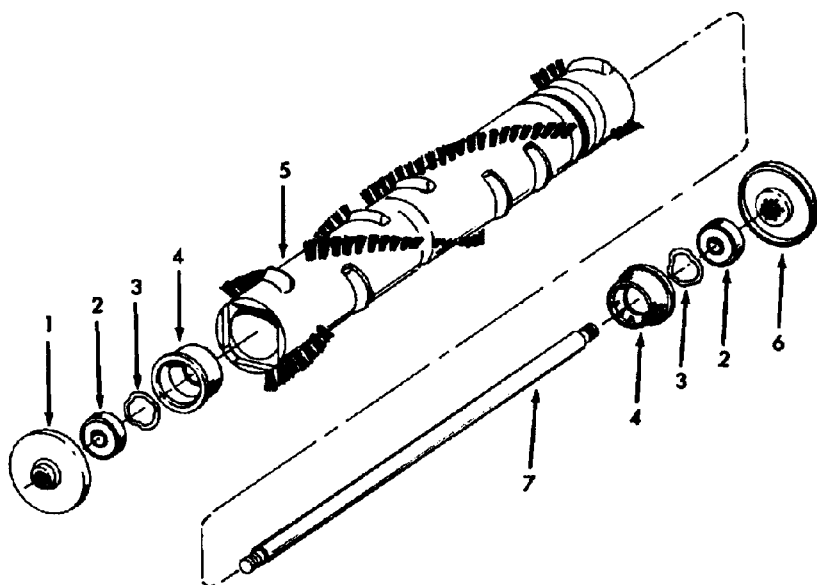
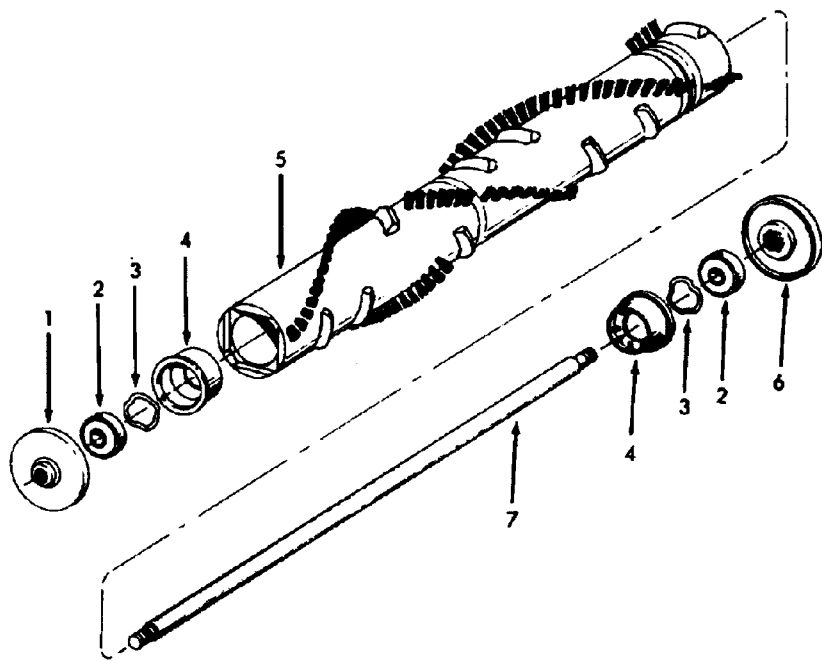
CONQUEST™

1

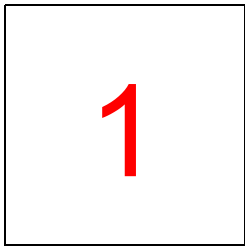
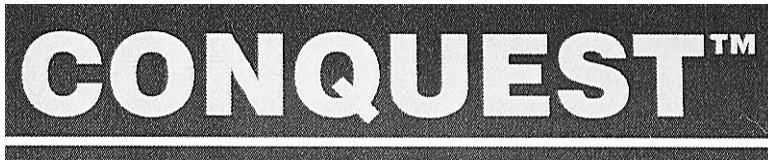
ASSEMBLY SCHEMATIC

[MODEL No.](#)

C1810



FOR VACUUM CLEANER PARTS PLEASE CALL 608-836-7771



PART LISTING / PRICE LIST

MODEL No.

C1810

ITEM	PART NUMBER	MODELS TO FIT	PART DESCRIPTION	LIST COST
1	41435066	C1810	THREAD GUARD ASSEMBLY	3.77
2	24152807	C1810	MOTOR BEARING - 8MM	3.69
3	21345113	C1810	WAVE SPRING WASHER	1.07
4	36422004	C1810	AGITATOR END	2.69
5	48416013	C1810	AGITATOR BODY AND ENDS - 14"	29.69
	48416017	C1810	AGITATOR BODY AND ENDS - 18"	32.39
6	41435061	C1810	THREAD GUARD ASSEMBLY	4.31
7	32873004	C1810	AGITATOR SHAFT - 18"	6.04
	32873007	C1810	AGITATOR SHAFT - 14"	6.04
	48416035	C1810	AGITATOR COMPLETE - 14"	46.43
	48416036	C1810	AGITATOR COMPLETE - 18"	53.99

FOR VACUUM CLEANER PARTS PLEASE CALL 608-836-7771