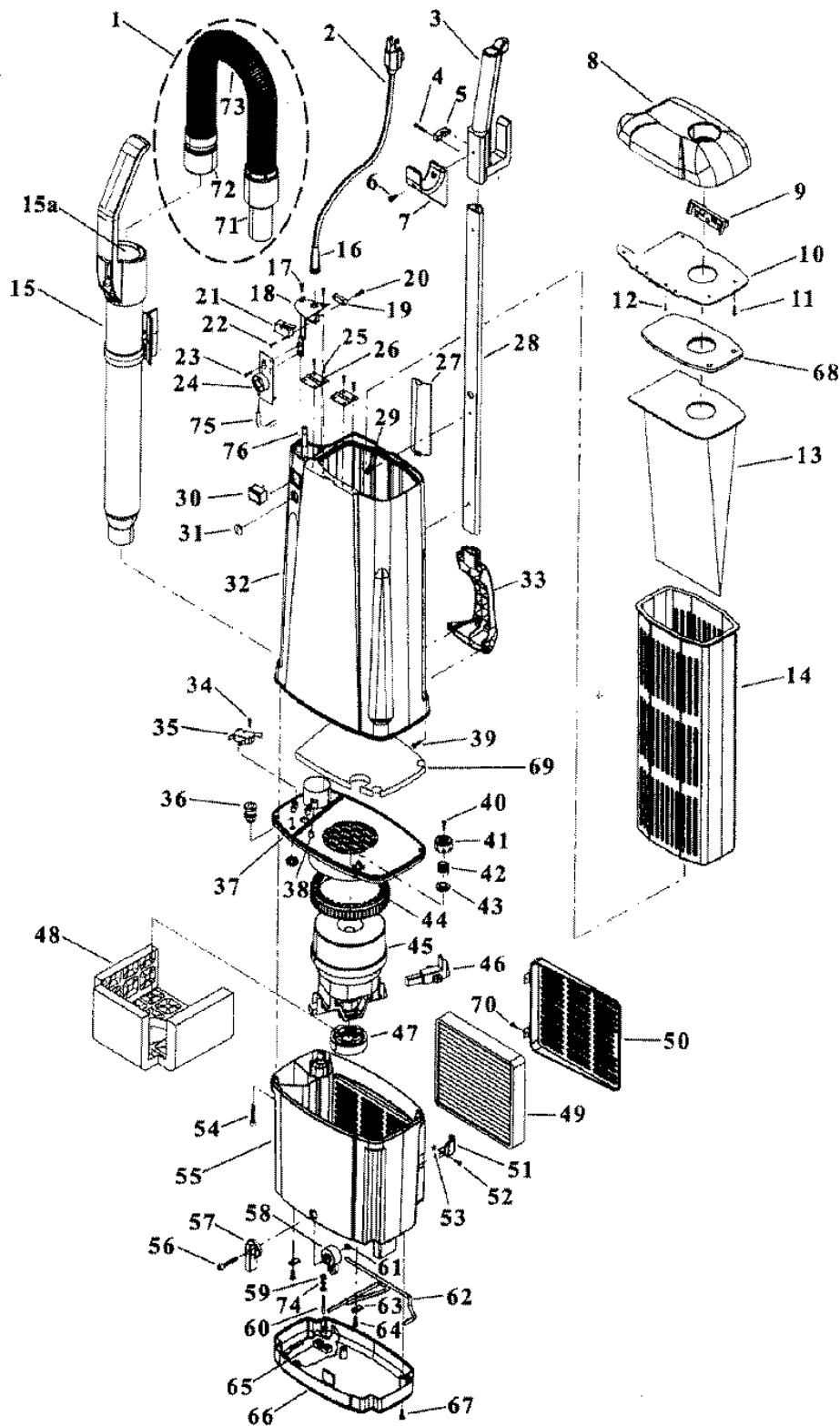




# Dubl-Duty 2 MOTOR SYSTEM

3

## ASSEMBLY SCHEMATIC



MODEL NO.

C1830  
C1834

FOR VACUUM CLEANER PARTS PLEASE CALL 608-836-7771



# Dubl-Duty 2 MOTOR SYSTEM

# 3

## PART LISTING / PRICE LIST

MODEL No.

C1830  
C1834

ITEM	PART NUMBER	MODELS TO FIT	PART DESCRIPTION	LIST COST
1	59151061	C1830, C1834	HOSE ASSEMBLY	91.79
2	59151062	C1830, C1834	ELECTRIC CABLE	60.47
3	59151063	C1830, C1834	HANDLE GRIP	32.39
4	59151064	C1830, C1834	SCREW - 3x 20	N.L.A.
5	59151065	C1830, C1834	CABLE CLAMP	5.39
6	59151066	C1830, C1834	SCREW - 4 x 12	1.93
7	59151067	C1830, C1834	SUCTION HOSE SUPPORT	13.49
8	59151068	C1830, C1834	TOP COVER	43.19
9	59151069	C1830, C1834	BODY COVER SPRING	7.55
10	59151070	C1830, C1834	BODY COVER PLATE	PENDING
11	59151071	C1830, C1834	SCREW - SELF THREADING 5 x 16	PENDING
12	59151072	C1830, C1834	SCREW - SELF THREADING 9 x 13	N.L.A.
13	59151073	C1830, C1834	PAPER BAG - 10 PACK	39.99
14	59151074	C1830, C1834	PAPER BAG CAGE	29.99
15	59151075	C1830, C1834	WAND ASSEMBLY	32.39
	59151076	C1830, C1834	INNER WAND TUBE	7.12
16	59151077	C1830, C1834	CABLE RETAINER	PENDING
17	59151078	C1830, C1834	SCREW - SELF THREADING 5 x 13	N.L.A.
18	59151079	C1830, C1834	SUPPORT PLATE	8.09
19	59151080	C1830, C1834	CABLE HOLDER	5.93
20	59151072	C1830, C1834	SCREW - SELF THREADING 9 x 13	N.L.A.
21	59151082	C1830, C1834	MICROSWITCH	N.L.A.
22	59151083	C1830, C1834	SCREW - SELF THREADING 9 x 16	PENDING
23	59151084	C1830, C1834	SCREW - SELF THREADING 9 x 9	N.A.
24	59151085	C1830, C1834	BAG CONTROL CARD	36.71
25	59151072	C1830, C1834	SCREW - SELF THREADING 9 x 13	N.L.A.
26	59151087	C1830, C1834	HINGE - COVER	17.05
27	59151088	C1830, C1834	COVER	5.93
28	59151089	C1830, C1834	HANDLE TUBE	53.99
29	59151090	C1830, C1834	SCREW - 4 x 10	N.L.A.
30	59151091	C1830, C1834	SWITCH	8.63
31	59151092	C1830, C1834	LENS	PENDING
32	59151093	C1830, C1834	CENTER BODY HOUSING	PENDING
33	59151094	C1830, C1834	LIFTING HANDLE	20.51
34	59151072	C1830, C1834	SCREW - SELF THREADING 9 x 13	N.L.A.
35	59151082	C1830, C1834	MICROSWITCH	N.L.A.

FOR VACUUM CLEANER PARTS PLEASE CALL 608-836-7771



# Dubl-Duty 2 MOTOR SYSTEM

# 3

## PART LISTING / PRICE LIST

MODEL No.

C1830  
C1834

ITEM	PART NUMBER	MODELS TO FIT	PART DESCRIPTION	LIST COST
36	59150197	C1830, C1834	CABLE RETAINER	N.L.A.
37	59151098	C1830, C1834	MOTOR HOLDER	N.L.A.
38	59151099	C1830, C1834	MICROSWITCH	N.L.A.
39	59151100	C1830, C1834	SCREW -SELF THREADING 5 X 16	PENDING
40	59151072	C1830, C1834	SCREW -SELF THREADING 9 X 13	N.L.A.
41	59151102	C1830, C1834	SAFETY VALVE COVER	N.L.A.
42	59151103	C1830, C1834	SAFETY VALVE COVER SPRING	PENDING
43	59151104	C1830, C1834	SAFETY VALVE	PENDING
44	59151105	C1830, C1834	MOTOR GASKET	N.L.A.
45	59151107	C1830, C1834	MOTOR ASSEMBLY	140.39
46	59151109	C1830, C1834	CARBON BRUSH	N.L.A.
47	59151110	C1830, C1834	RUBBER GASKET	5.16
48	59151111	C1830, C1834	SOUND INSULATION	PENDING
49	59151112	C1830, C1834	HELPA FILTER	7.99
	59151113	C1830, C1834	FOAM FILTER	8.59
50	59151114	C1830, C1834	FILTER COVER	PENDING
51	59151115	C1830, C1834	FILTER RETAINING CLAMP	PENDING
52	59151116	C1830, C1834	SCREW - 3x 10	N.A.
53	59151117	C1830, C1834	NUT - M3	PENDING
54	59151118	C1830, C1834	SCREW - 5x 30	N.L.A.
55	59151119	C1830, C1834	MOTOR HOUSING	N.L.A.
56	59151118	C1830, C1834	SCREW - 5 x 30	N.L.A.
57	59151121	C1830, C1834	LOCKING CATCH KNOB	PENDING
58	59151122	C1830, C1834	LOCING CATCH	PENDING
59	59151123	C1830, C1834	NUT - M4	PENDING
60	59151124	C1830, C1834	STATIC GROUND PIN	N.L.A.
61	59151125	C1830, C1834	NUT -SELF LOCKING M5	PENDING
62	59151126	C1830, C1834	LOCKING ROD	N.L.A.
63	59151036	C1830, C1834	LATCH	2.15
64	59151128	C1830, C1834	SCREW -SELF THREADING 5 X 13	N.L.A.
65	59151129	C1830, C1834	CONNECTION PROTECTION	PENDING
66	59151130	C1830, C1834	MOTOR COVER	PENDING
67	59151071	C1830, C1834	SCREW -SELF THREADING 5 X 16	PENDING
68	59151132	C1830, C1834	GASKET	N.L.A.
69	59151133	C1830, C1834	INLET FILTER	9.28
70	93002128	C1830, C1834	SCREW -SELF TAPPING	N.L.A.

FOR VACUUM CLEANER PARTS PLEASE CALL 608-836-7771



# Dubl-Duty 2 MOTOR SYSTEM

# 3

## PART LISTING / PRICE LIST

ITEM	PART NUMBER	MODELS TO FIT	PART DESCRIPTION	LIST COST
71	59151135	C1830, C1834	HOSE ROTATING SLEEVE	PENDING
72	59151136	C1830, C1834	FLEXIBLE HOSE UNION	PENDING
73	59151137	C1830, C1834	FEXIBLE HOSE	N.L.A
74	59151138	C1830, C1834	WASHER	PENDING
75	59151139	C1830, C1834	BAG CONTROL CONNECTOR	PENDING
76	59151140	C1830, C1834	RUBBER POST	N.L.A

MODEL No.

C1830

C1834

FOR VACUUM CLEANER PARTS PLEASE CALL 608-836-7771



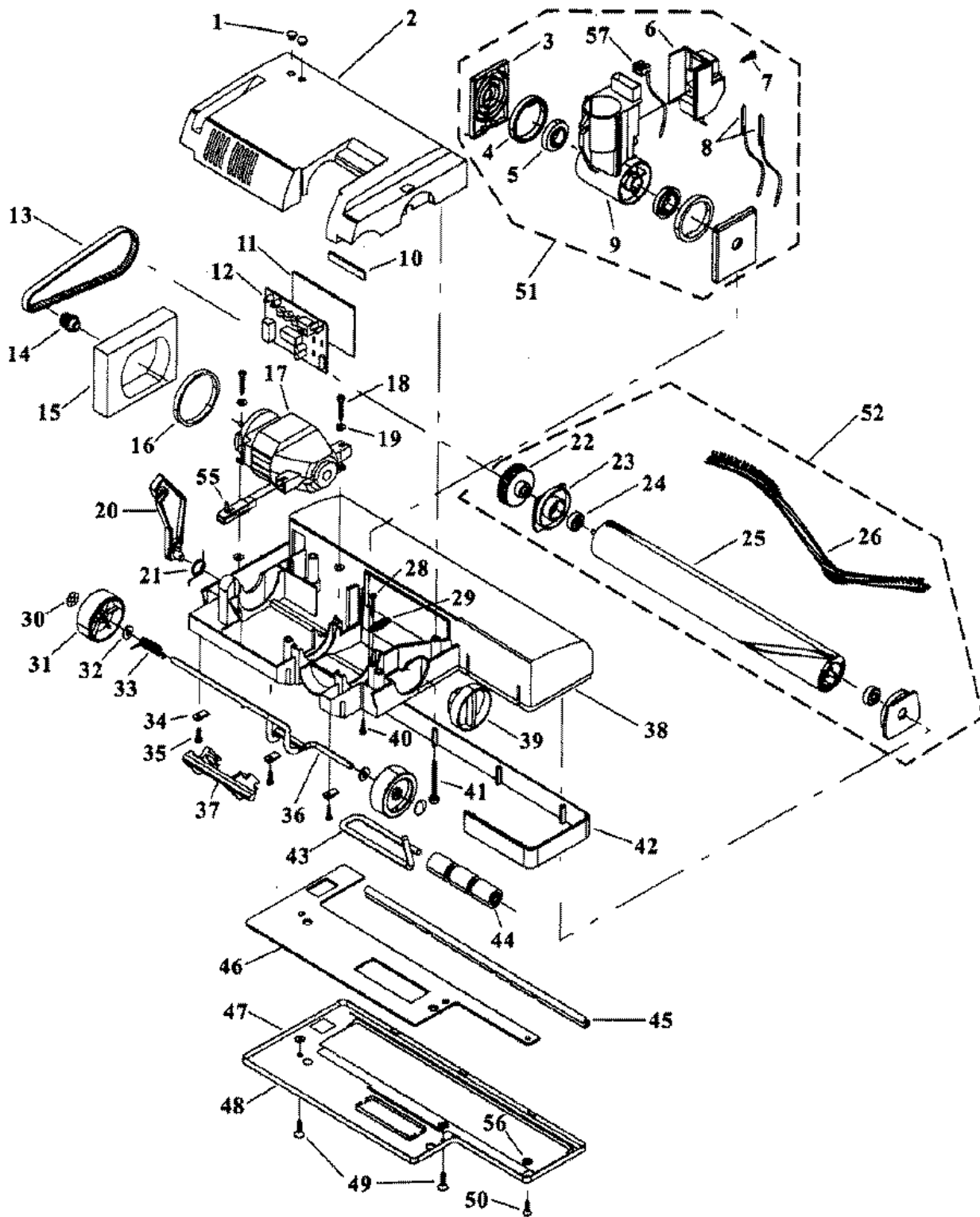
# Dubl-Duty 2 MOTOR SYSTEM

3

## ASSEMBLY SCHEMATIC

[MODEL NO.](#)

C1830  
C1834



FOR VACUUM CLEANER PARTS PLEASE CALL 608-836-7771



# Dubl-Duty 2 MOTOR SYSTEM

# 3

## PART LISTING / PRICE LIST

MODEL No.

C1830  
C1834

ITEM	PART NUMBER	MODELS TO FIT	PART DESCRIPTION	LIST COST
1	59151001	C1830, C1834	LENS	PENDING
2	59151002	C1830, C1834	HOOD / NOZZLE COVER	PENDING
3		C1830, C1834	ORDER #51 - SEAL	-
4		C1830, C1834	ORDER #51 - GASKET	-
5		C1830, C1834	ORDER #51 - SEAL	-
6		C1830, C1834	ORDER #51 - COVER	-
7		C1830, C1834	ORDER #51 - SCREW	-
8		C1830, C1834	ORDER #51 - SPRING	-
9		C1830, C1834	ORDER #51 - PIVOT	-
10	59151010	C1830, C1834	FELT SEAL	N.L.A.
11	59151011	C1830, C1834	ELECTRONIC CARD PROTECTION	N.L.A.
12	59151012	C1830, C1834	ELECTRONIC CARD	43.19
13	59151013	C1830, C1834	BELT	9.99
14	59151014	C1830, C1834	PULLEY	11.87
15	59151015	C1830, C1834	FILTER	N.L.A.
16	59151016	C1830, C1834	GASKET	N.L.A.
17	59151017	C1830	BRUSH ROLL MOTOR	129.59
	59151018	C1834	BRUSH ROLL MOTOR	161.99
18	59151019	C1830, C1834	SCREW - SELF THREADING 9 X 19	N.L.A.
19	59151020	C1830, C1834	WASHER - D4	N.A.
20	59151021	C1830, C1834	SUPPORT LEVER	8.63
21	59151022	C1830, C1834	SPRING	5.71
22	59151023	C1830, C1834	BRUSH PULLEY	N.L.A.
23	59151024	C1830, C1834	BRUSH SUPPORT	PENDING
24	59151025	C1830, C1834	BEARING	N.L.A.
25		C1830, C1834	ORDER #52 - AGITATOR BODY	-
26	59151028	C1830	BRUSH STRIP	15.11
	59151029	C1834	BRUSH STRIP	15.11
28	59151030	C1830, C1834	SCREW - SELF THREADING 5 X 25	PENDING
29	59151031	C1830, C1834	SPRING	PENDING
30	59151032	C1830, C1834	RETAINER	N.L.A.
31	59151033	C1830, C1834	WHEEL	5.93
32	59151034	C1830, C1834	WASHER - D6	PENDING
33	59151035	C1830, C1834	WHEEL AXLE SPRING	8.09
34	59151036	C1830, C1834	LATCH	2.15
35	59151037	C1830, C1834	SCREW - SELF THREADING 9 X 13	1.93

FOR VACUUM CLEANER PARTS PLEASE CALL 608-836-7771



# Dubl-Duty 2 MOTOR SYSTEM

# 3

## PART LISTING / PRICE LIST

MODEL No.

C1830  
C1834

ITEM	PART NUMBER	MODELS TO FIT	PART DESCRIPTION	LIST COST
36	59151038	C1830, C1834	WHEEL AXLE	PENDING
37	59151039	C1830, C1834	FOOT PEDAL	N.A.
38	59151040	C1830	NOZZLE BASE / BRUSH ROLL HOUSING - 14"	PENDING
	59151041	C1834	NOZZLE BASE / BRUSH ROLL HOUSING - 18"	107.99
39	59151042	C1830, C1834	HEIGHT ADJUSTMENT KNOB	PENDING
40	59151037	C1830, C1834	SCREW - SELF THREADING 9 X 13	1.93
41	59151044	C1830, C1834	SCREW - 5 X 45	N.L.A.
42	59151045	C1830	BUMPER - 14"	10.79
	59151046	C1834	BUMBER - 18"	12.95
43	59151047	C1830, C1834	WHEEL AXLE	PENDING
44	59151048	C1830, C1834	HEIGHT ADJUSTMENT WHEEL	PENDING
45	59151049	C1830, C1834	GASKET	5.39
46	59151050	C1830, C1834	GASKET	6.04
47	59151051	C1830, C1834	WAHSER	PENDING
48	59151052	C1830	NOZZLE GUARD - 14"	53.99
	59151053	C1834	NOZZLE GUARD - 18"	60.47
49	59151054	C1830, C1834	SCREW - 5x 12	PENDING
50	59151055	C1830, C1834	SCREW - 4x 10	1.93
51	59151056	C1830, C1834	PIVOT ASSEMBLY	64.79
52	59151057	C1830	BRUSH ROLL ASSEMBLY - 14"	92.87
	59151144	C1834	BRUSH ROLL ASSEMBLY - 18"	118.79
55	59151058	C1830, C1834	CARBON BRUSH	N.L.A.
56	59151059	C1830, C1834	WASHER	N.A.
57	59151060	C1830, C1834	ENCLOSED COVER SPRING	PENDING

FOR VACUUM CLEANER PARTS PLEASE CALL 608-836-7771



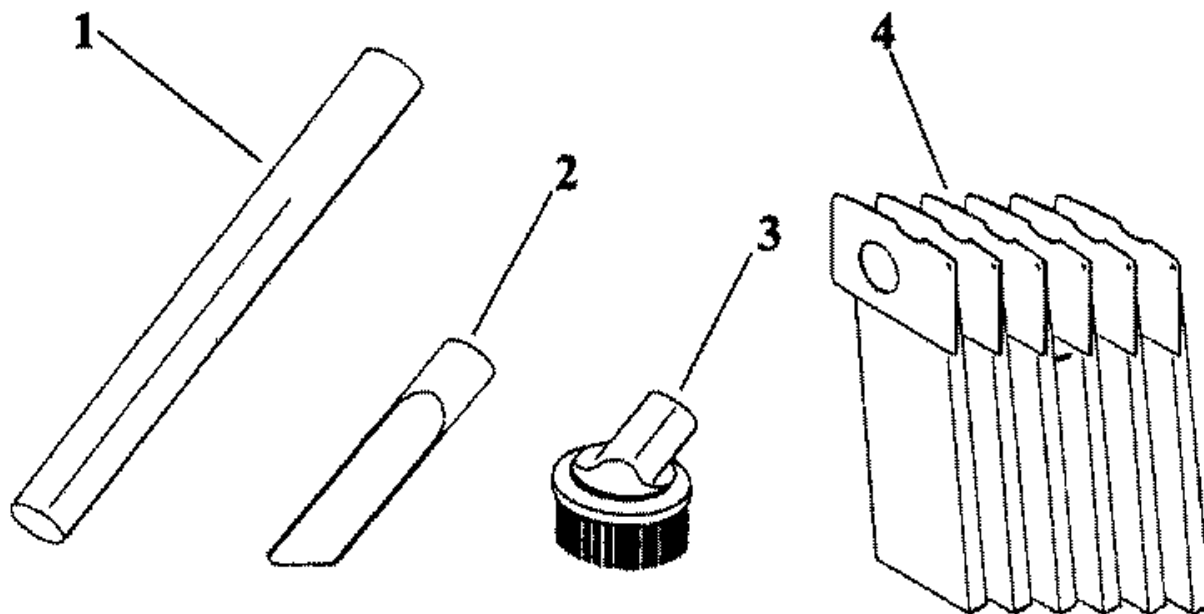
# Dubl-Duty 2 MOTOR SYSTEM

3

## ASSEMBLY SCHEMATIC

MODEL NO.

C1830  
C1834



FOR VACUUM CLEANER PARTS PLEASE CALL 608-836-7771



# Dubl-Duty 2 MOTOR SYSTEM

3

## PART LISTING / PRICE LIST

ITEM	PART NUMBER	MODELS TO FIT	PART DESCRIPTION	LIST COST
1	59151141	C1830, C1834	EXTENSION TUBE	N.L.A.
2	59151142	C1830, C1834	CREVICE TOOL	11.87
3	59151143	C1830, C1834	DUSTING BRUSH	14.03
4	59151073	C1830, C1834	PAPER BAG - 10PACK	39.99

MODEL No.

C1830

C1834

FOR VACUUM CLEANER PARTS PLEASE CALL 608-836-7771