



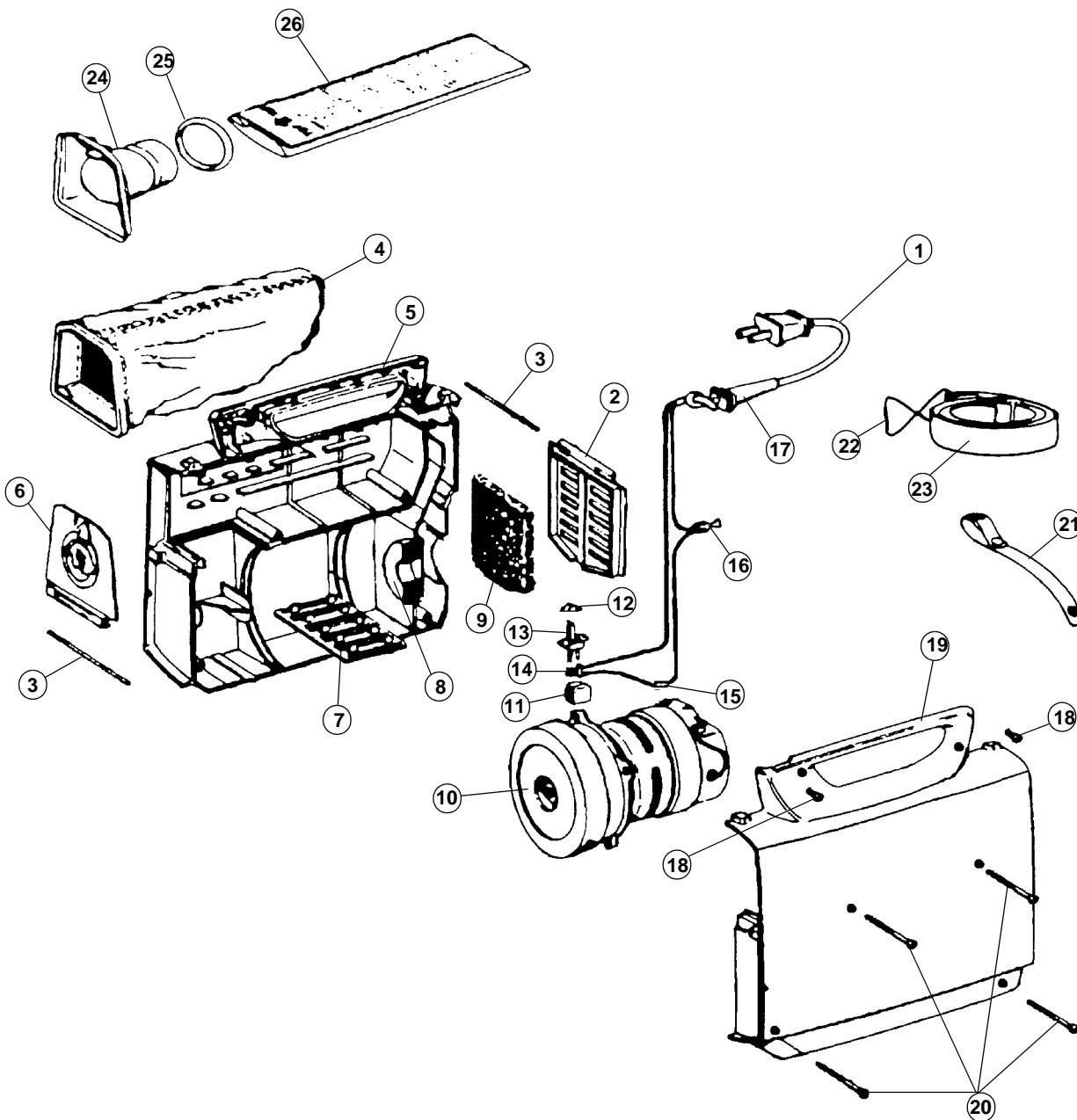
Portapower™

5

ASSEMBLY SCHEMATIC

MODEL NO.

C2094
CH30000



FOR VACUUM CLEANER PARTS PLEASE CALL 608-836-7771



Portapower™

5

PART LISTING / PRICE LIST

MODEL No.

C2094
CH30000

ITEM	PART NUMBER	MODELS TO FIT	PART DESCRIPTION	LIST COST
1	46383258	C2094, CH30000	POWER CORD	28.07
2	162059AG	C2094, CH30000	DIFFUSER DOOR	1.13
3	162062AY	C2094, CH30000	HINGE PIN	.44
4	43662023	C2094, CH30000	CLOTH BAG ASSEMBLY -SHAKEOUT	3.78
5	42222164	C2094	HOUSING - RIGHT	14.03
	59156690	CH30000	HOUSING - RIGHT	26.87
6	42227039	C2094, CH30000	BAG DOOR	3.55
7	162083JM	C2094, CH30000	SECONDARY FILTER	1.29
8	33712005	C2094	PESSURE PAD	1.39
	59156688	CH30000	PESSURE PAD	.84
9	34366001	C2094, CH30000	DIFFUSER	1.07
10	43177042	C2094	MOTOR ASSEMBLY	107.99
	59156687	C2094	MOTOR ADAPTOR KIT - <i>WHEN 43177042 IS NLA</i> ALSO NEED TO ORDER MOTOR 59135400	PENDING
	59135400	CH30000	MOTOR ASSEMBLY	72.35
11	37922002	C2094, CH30000	THERMINAL SHIELD	1.07
12	38421012	C2094, CH30000	SWITCH BUTTON	1.07
13	28177006	C2094, CH30000	SWITCH	3.23
14	27666702	C2094, CH30000	SWITCH TERMINAL	.81
15	59135401	CH30000	MOTOR TERMINAL	PENDING
16	012227--	C2094, CH30000	WIRE TERMINAL	.75
17	36215015	C2094, CH30000	CORD PROTECTOR -BLACK	1.72
18	21447043	C2094, CH30000	SCREW	.54
19	37223111	C2094	HOUSING - LEFT	16.19
	59156689	CH30000	HOUSING - LEFT	25.33
20	21479573	C2094	SCREW	.54
	59156694	CH30000	SCREW - M4 x 18 x 70MM	.84
21	48615012	C2094, CH30000	CORD STORAGE STRAP	4.63
22	33153002	C2094, CH30000	STRAP HOOK	1.72
23	48615001	C2094, CH30000	CARRYING STRAP ASSEMBLY	8.41
24	38663010	C2094, CH30000	DISPOSABLE BAG SUPPORT TUBE	3.23
25	046550AG	C2094, CH30000	BELT	.96
26	4010038N	C2094, CH30000	TYPE N PAPER BAG - 5 PACK	1.67
	4010050N	C2094, CH30000	PAPER BAG ADAPTOR KIT - ADAPTOR WITH FIVE PAPER BAGS	3.26

FOR VACUUM CLEANER PARTS PLEASE CALL 608-836-7771



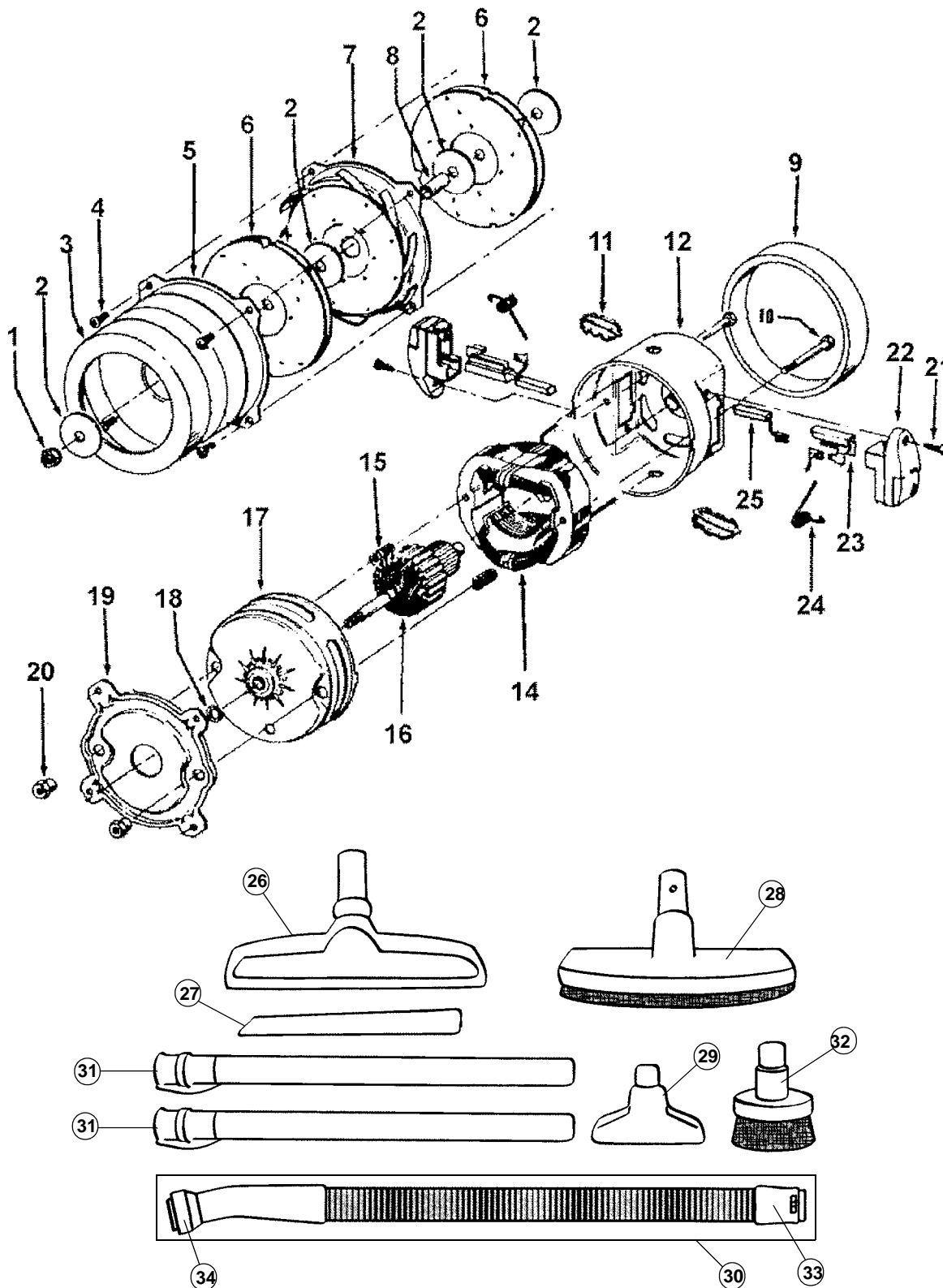
Portapower™

5

ASSEMBLY SCHEMATIC

MODEL NO.

C2094
CH30000



FOR VACUUM CLEANER PARTS PLEASE CALL 608-836-7771



Portapower™

5

PART LISTING / PRICE LIST

MODEL No.

C2094
CH30000

ITEM	PART NUMBER	MODELS TO FIT	PART DESCRIPTION	LIST COST
1	33426001	C2094	NUT	1.07
2	21312701	C2094	WASHER	N.A.
3	31328002	C2094	MOTOR MOUNT	3.77
4	21434224	C2094	SCREW	N.A.
5	37191016	C2094	OUTERSTAGE HOUSING	1.02
6	43566007	C2094	FAN	4.63
7	43551005	C2094	INNERSTAGE ASSEMBLY	N.A.
8	31742010	C2094	FAN SPACER	N.A.
9	31178007	C2094	MOTOR GASKET	3.23
10	33421004	C2094	FIELD LAMINATION BOLT	N.A.
11	169702BZ	C2094	WIRE PROTECT BUSHING	N.A.
12	42937003	C2094	UPPER MOTOR HOUSING	10.79
14	45311035	C2094	FIELD COIL ASSEMBLY - 1.7	N.A.
	45311051	C2094	FIELD COIL ASSEMBLY - 2.2	66.53
15	167721FW	C2094	SPRING	N.A.
16	44765171	C2094	ARMATURE ASSEMBLY COMPLETE	53.99
17	37191085	C2094	LOWER MOTOR HOUSING	11.87
18	31148002	C2094	SPACER	N.A.
19	36322002	C2094	INTERSTANGE MOUNTING PLATE	N.A.
20	167695EF	C2094	NUT	N.A.
21	21429406	C2094	SCREW	.38
22	167696AG	C2094	BRUSH HOUSING	1.61
	47318008	C2094	BRUSH CARRIER ASSEMBLY	6.47
23		C2094	BRUSH HOLDER	N.A.
24	38353004	C2094	SPRING	1.07
25	167681--	C2094	CARBON BRUSH AND TERMINAL	2.80
26	4341401P	C2094, CH30000	RUG / FLOOR NOZZLE	21.59
27	38617017	C2094, CH30000	CREVICE TOOL	2.05
28	43414073	C2094, CH30000	FLOOR BRUSH	14.03
29	43414057	C2094, CH30000	FURNITURE NOZZLE - BLACK	6.47
30	43434239	C2094, CH30000	HOSE ASSEMBLY COMPLETE - 5.5"	21.59
31	43453027	C2094, CH30000	EXTENSION TUBE ASSEMBLY	21.59
32	43414064	C2094, CH30000	DUSTING BRUSH	8.63
33	38656042	C2094, CH30000	HOSE CONNECTOR	2.80
34	36153009	C2094, CH30000	LATCH RING	1.07

FOR VACUUM CLEANER PARTS PLEASE CALL 608-836-7771