



Shoulder Vac Pro

COMMERCIAL BACK PACK CLEANING SYSTEM

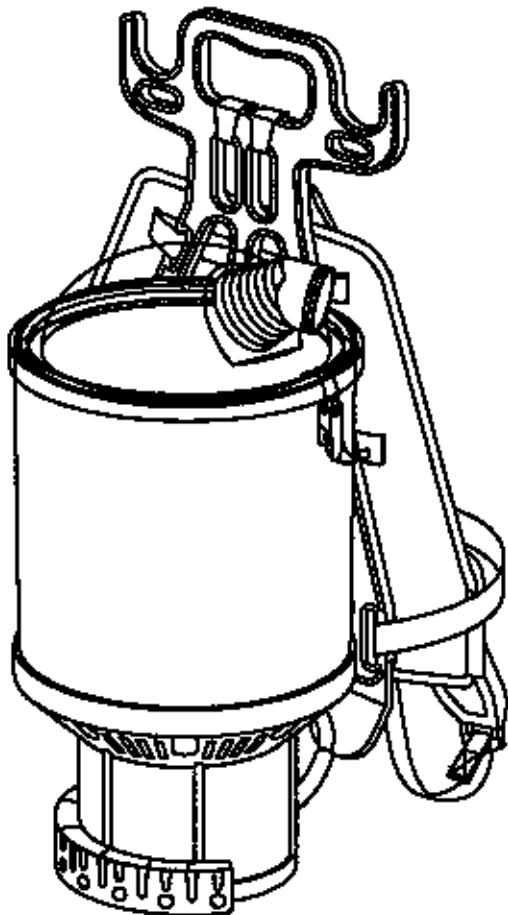
9

SECTION CONTENTS

<u>MODEL No.</u>	<u>PAGE No.</u>
C2401	9-2 THRU 9-5
C2401010	9-2 THRU 9-5

MODEL No.

C2401
C2401010



FOR VACUUM CLEANER PARTS PLEASE CALL 608-836-7771

- * PRICING, SPECIFICATION'S, AND PRODUCT AVAILABILITY ARE SUBJECT TO CHANGE WITHOUT NOTICE. PRICING IS FOB FACTORY, CANTON, OH
- * ALL INFORMATION CONTAINED WITHIN THIS SERVICE MANUAL IS PROPRIETARY INFORMATION OF TTI FLOOR CARE NORTH AMERICA.
- * **WARNING:** TO REDUCE THE RISK OF ELECTRICAL SHOCK OR INJURY, ALWAYS DISCONNECT THE APPLIANCE CORD FROM THE ELECTRICAL OUTLET OR REMOVE BATTERY PRIOR TO SERVICING THE UNIT.



Shoulder Vac Pro

COMMERCIAL BACK PACK CLEANING SYSTEM

9

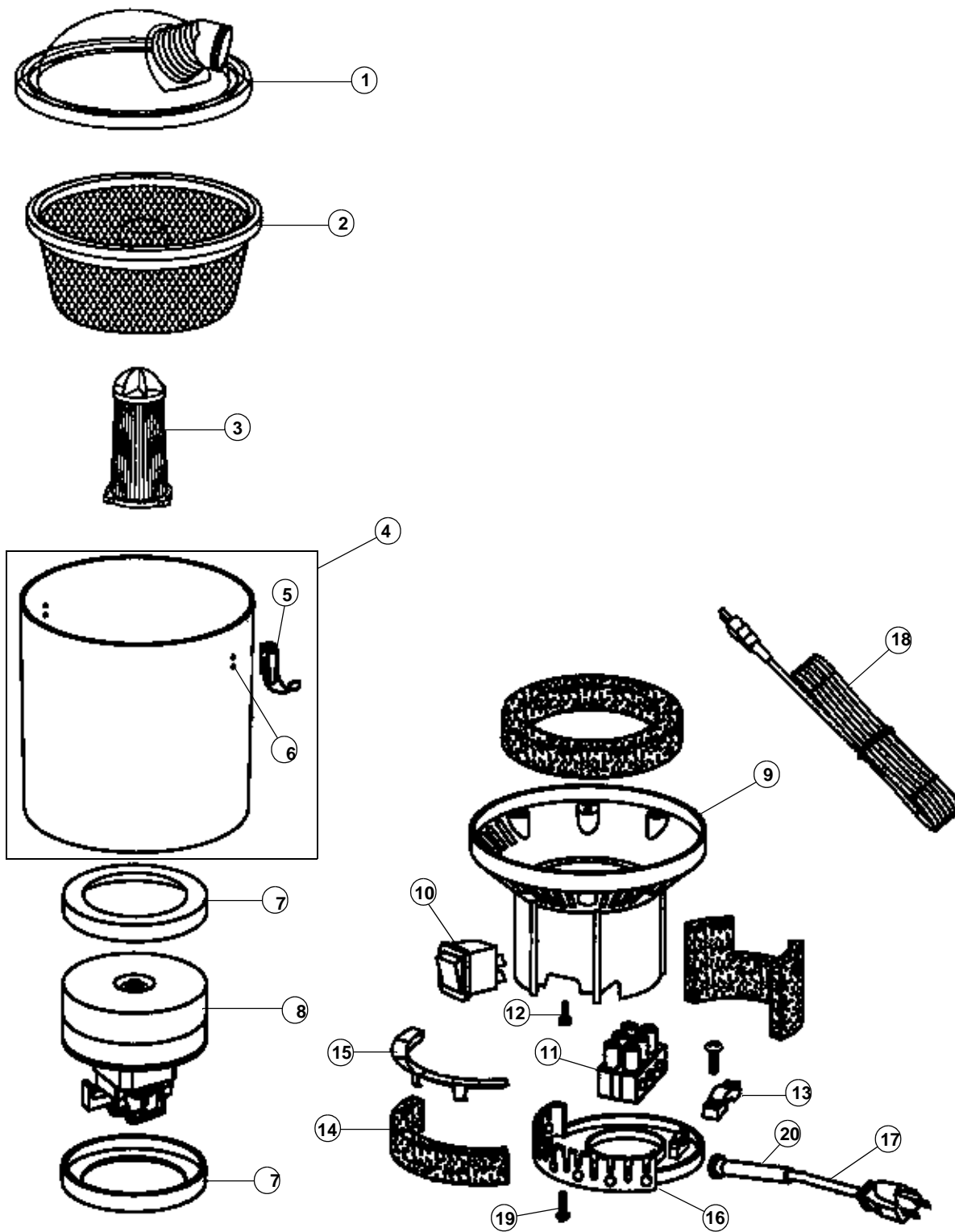
ASSEMBLY SCHEMATIC

MODEL NO.

C2401

C2401010

FOR VACUUM CLEANER PARTS PLEASE CALL 608-836-7771





Shoulder Vac Pro

COMMERCIAL BACK PACK CLEANING SYSTEM

9

PART LISTING / PRICE LIST

MODEL No.

C2401
C2401010

ITEM	PART NUMBER	MODELS TO FIT	PART DESCRIPTION	LIST COST
1	2KE2100000	C2401, C2401010	TOP DOME LID ASSEMBLY	27.72
2	2KE2105000	C2401, C2401010	DUST BAG W/RUBBER RING	48.44
3	2KE2110000	C2401, C2401010	HEPA FILTER	46.80
4	12401100	C2401, C2401010	MAIN CANISTER BODY COMPLETE	32.00
5	1KE0205000	C2401, C2401010	TOGGLE LATCH	19.01
6	1KE0206000	C2401, C2401010	RIVET	.90
7	1KE0210000	C2401, C2401010	MOTOR GASKET	13.86
8	2KE0210000	C2401, C2401010	MOTOR ASSEMBLY	176.88
9	1KE0225BG0	C2401, C2401010	INTERMEDIATE HOUSING	39.99
10	1KE2140000	C2401, C2401010	ROCKER SWITCH	4.81
11	1KE0275000	C2401, C2401010	WIRING LOOM - INCLUDES THERMAL	35.88
12	1KE0245000	C2401, C2401010	SCREW - 5 MM X 20MM	2.48
13	1KE0260600	C2401, C2401010	CABLE CLAMP	1.10
14	1KE2155000	C2401, C2401010	EXTERNAL MOTOR FILTER	.83
15	1KE2150000	C2401, C2401010	EXTERNAL MOTOR FILTER CAGE	2.73
16	1KE0281600	C2401, C2401010	BOTTOM CAP	13.63
17	12401200	C2401, C2401010	POWER CORD PIGTAIL - 10 AMP	47.00
18	12401300	C2401, C2401010	EXTENSION CORD	91.33
19	1KE0285000	C2401, C2401010	SCREW - BOTTOM CAP	.67
20	1KE1255000	C2401, C2401010	STRAIN RELIEF GROMMET	16.13
	1KE2103000	C2401, C2401010	TYPE BP PAPER BAG - BULK	.66
	401000BP		TYPE BP PAPER BAG - 7 PACK	4.92

FOR VACUUM CLEANER PARTS PLEASE CALL 608-836-7771



Shoulder Vac Pro

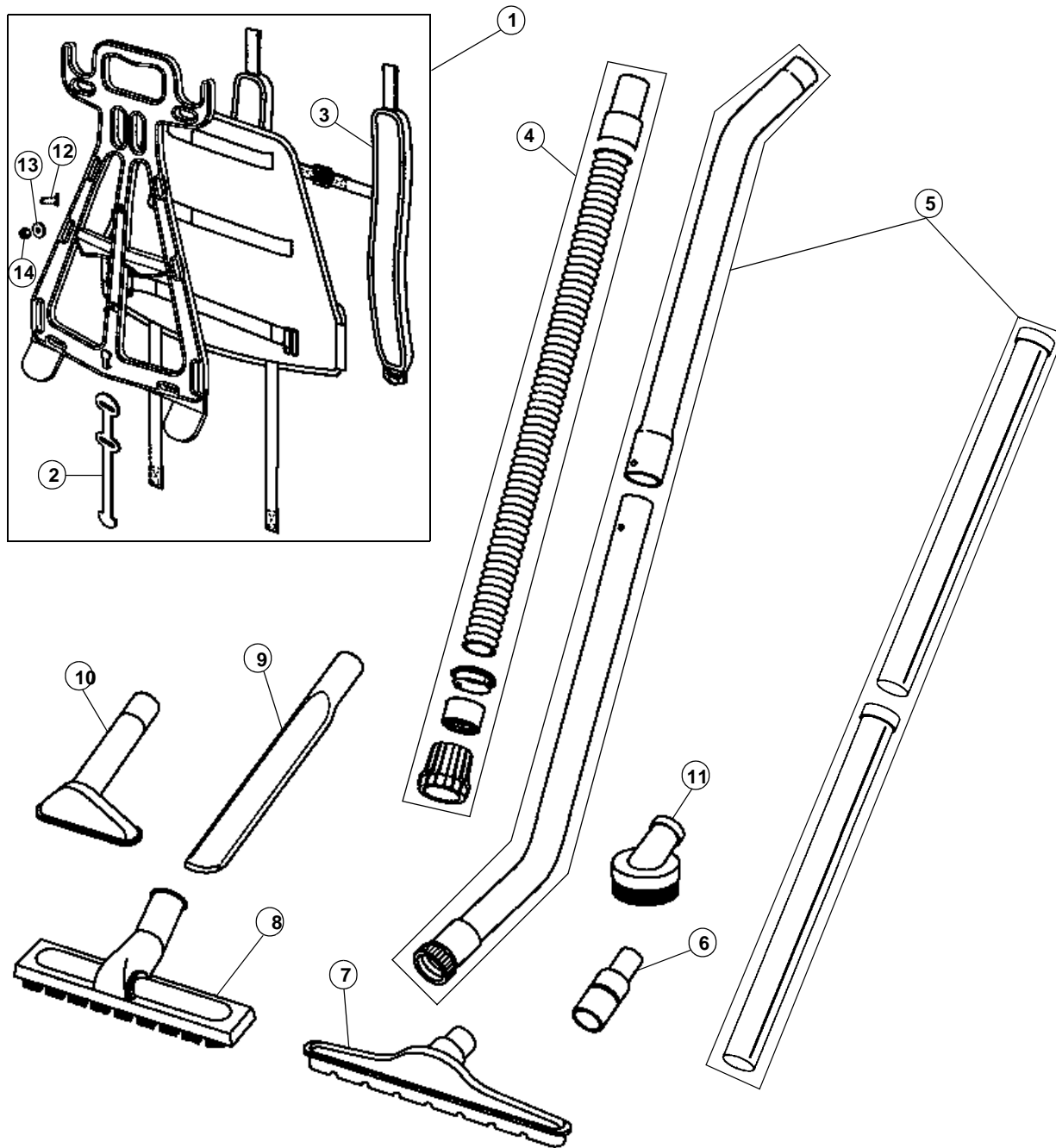
COMMERCIAL BACK PACK CLEANING SYSTEM

9

ASSEMBLY SCHEMATIC

MODEL NO.

C2401
C2401010



FOR VACUUM CLEANER PARTS PLEASE CALL 608-836-7771



Shoulder Vac Pro

COMMERCIAL BACK PACK CLEANING SYSTEM

9

PART LISTING / PRICE LIST

MODEL No.

C2401
C2401010

ITEM	PART NUMBER	MODELS TO FIT	PART DESCRIPTION	LIST COST
1	2KE2185000	C2401, C2401010	HARNESS ASSEMBLY COMPLETE	68.62
2	1KE0425600	C2401, C2401010	CORD RESTRAINT	5.22
3	1KE0430600	C2401, C2401010	SHOULDER STRAP	16.65
4	2KE2200000	C2401	HOSE ASSEMBLY COMPLETE	71.85
	2KE0600000	C2401010	HOSE ASSEMBLY COMPLETE	51.39
5	2KE2225000	C2401	CURVED TELESCOPIC METAL WANDS - 2PC	53.28
	2KE0635600	C2401010	STRAIGHT TELESCOPIC METAL WANDS - 2 PC	40.10
6	1KE2255000	C2401	CONNECTOR	3.45
7	2KE2235000	C2401	FLOOR TOOL 1-1/2	52.57
	2KE0640600	C2401010	FLOOR TOOL 1-1/4	42.53
8	2KE2410000	C2401	FLOOR BRUSH TOOL 1-1/2	87.48
	2KE8100000	C2401010	TURBO FLOOR TOOL 1-1/4	26.73
9	1KE2250000	C2401	LONG CREVICE TOOL 1-1/2	9.28
	1KE0645600	C2401010	LONG CREVICE TOOL 1-1/4	4.27
10	2KE2245000	C2401	DUSTING BRUSH 1-1/2	14.90
	2KE0650600	C2401010	DUSTING BRUSH 1-1/4	16.39
11	2KE2240000	C2401	UPHOLSTREY TOOL 1-1/2	13.32
	2KE0655600	C2401010	UPHOLSTREY TOOL 1-1/4	14.66
12	1KE0405000	C2401, C2401010	BOLT SCREW - HARNESS HARDWARE	.67
13	1KE0420000	C2401, C2401010	SMALL WASHER - HARNESS HARDWARE	.67
14	1KE0410000	C2401, C2401010	NUT - HARNESS HARDWARE	.67

FOR VACUUM CLEANER PARTS PLEASE CALL 608-836-7771



Shoulder Vac Pro

COMMERCIAL BACK PACK CLEANING SYSTEM

9

NOTES

MODEL NO.

C2401

C2401010

FOR VACUUM CLEANER PARTS PLEASE CALL 608-836-7771