



SteamVac™

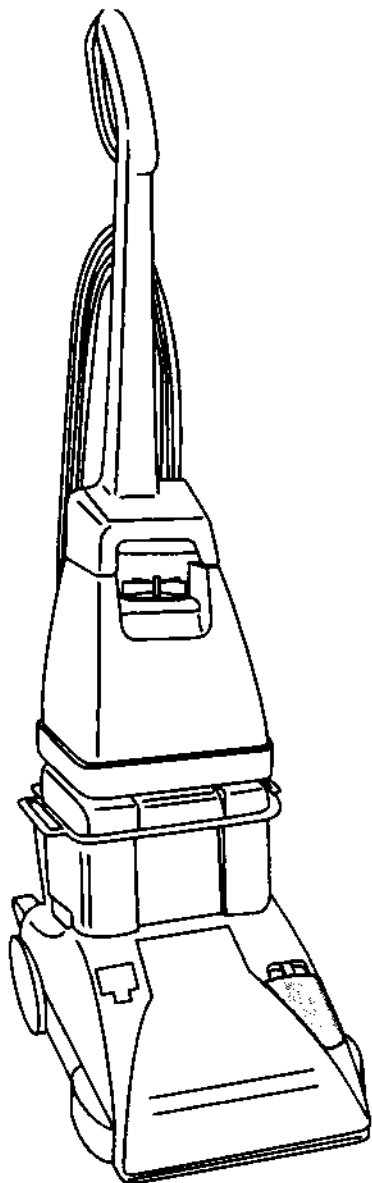
6

SECTION CONTENTS

<u>MODEL No.</u>	<u>PAGE No.</u>
C3820	6-2 THRU 6-4

MODEL No.

C3820



FOR VACUUM CLEANER PARTS PLEASE CALL 608-836-7771

- * PRICING, SPECIFICATION'S, AND PRODUCT AVAILABILITY ARE SUBJECT TO CHANGE WITHOUT NOTICE. PRICING IS FOB FACTORY, CANTON, OH
- * ALL INFORMATION CONTAINED WITHIN THIS SERVICE MANUAL IS PROPRIETARY INFORMATION OF TTI FLOOR CARE NORTH AMERICA.
- * **WARNING:** TO REDUCE THE RISK OF ELECTRICAL SHOCK OR INJURY, ALWAYS DISCONNECT THE APPLIANCE CORD FROM THE ELECTRICAL OUTLET OR REMOVE BATTERY PRIOR TO SERVICING THE UNIT.



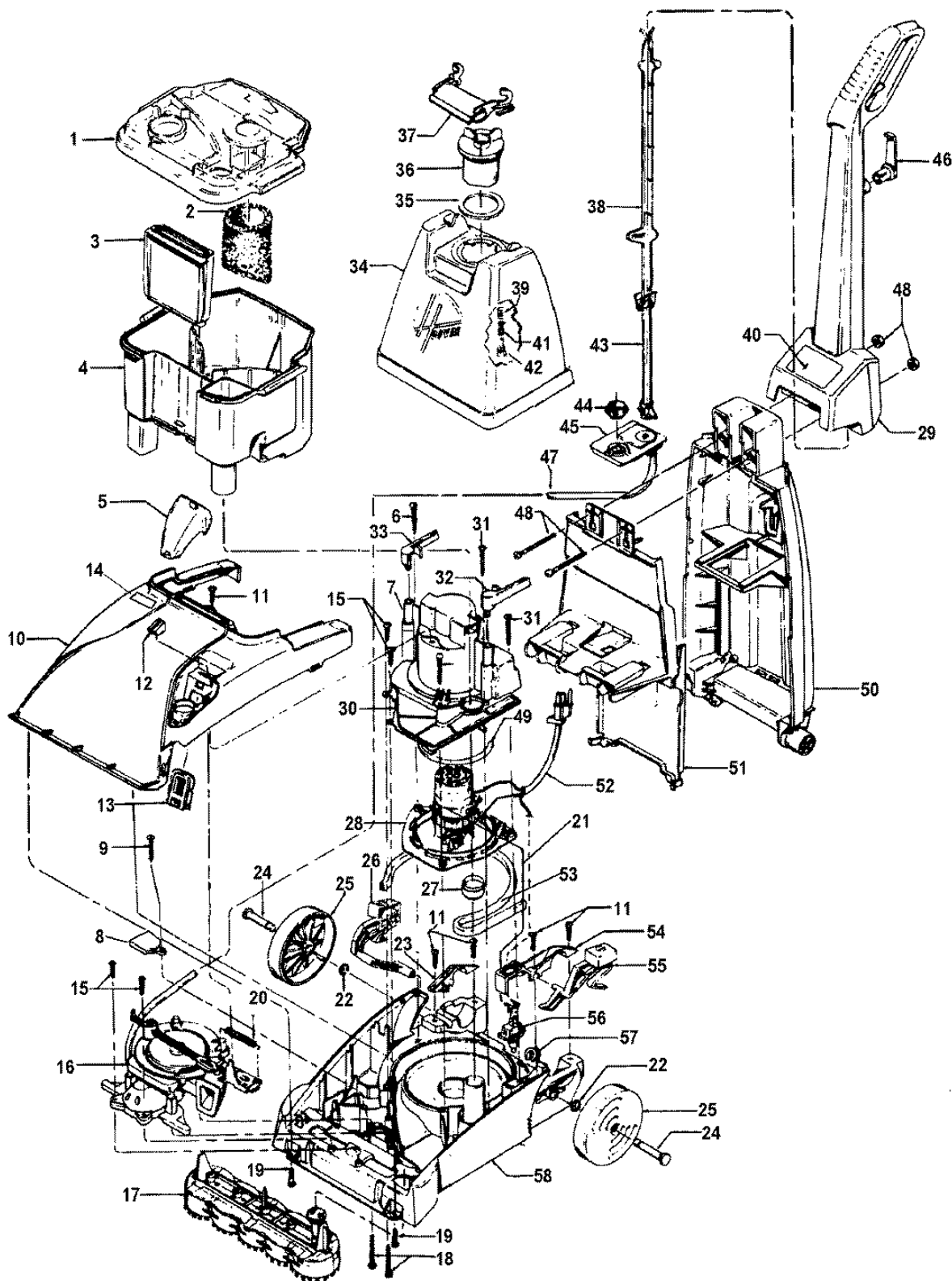
SteamVac™

6

ASSEMBLY SCHEMATIC

MODEL NO.

C3820



FOR VACUUM CLEANER PARTS PLEASE CALL 608-836-7771



SteamVac™

6

PART LISTING / PRICE LIST

MODEL No.

C3820

ITEM	PART NUMBER	MODELS TO FIT	PART DESCRIPTION	LIST COST
1	42272111	C3820	RECOVERY TANK LID WITH FILTER	32.39
2	90001398	C3820	TANK FILTER	3.99
3	38661003	C3820	DUCT	1.92
4	38777081	C3820	RECOVERY TANK ASSEMBLY	23.59
5	39383106	C3820	LENS	2.69
6	21447246	C3820	SCREW	1.07
7		C3820	POST	-
8	37911083	C3820	INLET CAP	N.A.
9	21447217	C3820	SCREW - SELF TAPPING	1.07
10	37271057	C3820	HOOD / NOZZLE ASSEMBLY	37.79
11	21447020	C3820	SCREW	.54
12	38421093	C3820	INDICATOR KNOB	1.39
13	43613009	C3820	SCREEN ASSEMBLY	2.47
14	51669080	C3820	HOOD / NOZZLE NAME PLATE	6.47
15	21447217	C3820	SCREW - SELF TAPPING	1.07
16	90001354	C3820	TURBINE AND GEAR	32.39
17	48437022	C3820	BRUSH BLOCK	25.91
18	21479438	C3820	SCREW	1.07
19	21447072	C3820	SCREW	.54
20	38333009	C3820	SPRING	1.07
21	49811039	C3820	LEAD WIRE - BLACK	1.07
22	160017--	C3820	LOCK RING	.27
23	36131085	C3820	TRUNION COVER - RIGHT	2.15
24	32434007	C3820	REAR AXLE	1.07
25	38522076	C3820	REAR WHEEL	3.23
26	38458042	C3820	HANDLE RELEASE LEVER	3.88
27	38784063	C3820	STANDPIPE SEAL	3.23
28	43576202	C3820	MOTOR ASSEMBLY	86.39
	41311016	C3820	BRUSH HOLDER ASSEMBLY	3.23
29	48663237	C3820	UPPER HANDLE ASSEMBLY	19.40
30	40309027	C3820	MOTOR COVER ASSEMBLY	20.51
31	21447232	C3820	SCREW - SELF TAPPING	.54
32	36151029	C3820	TANK RELEASE LATCH - LEFT	2.47
33	90001228	C3820	TANK RELEASE LATCH - RIGHT	2.15
34	42272145	C3820	SOLUTION TANK ASSEMBLY - NO HANDLE	25.56
35	38784062	C3820	GASKET	1.39

FOR VACUUM CLEANER PARTS PLEASE CALL 608-836-7771



SteamVac™

6

PART LISTING / PRICE LIST

MODEL No.

C3820

ITEM	PART NUMBER	MODELS To FIT	PART DESCRIPTION	LIST COST
36	12002693	C3820	SOLUTION TANK AND CAP ASSEMBLY	35.09
37	39457053	C3820	SOLUTION TANK HANDLE	2.07
38	38458031	C3820	UPPER CONTROL ROD	1.72
39	38342014	C3820	SPRING	N.A.
40		C3820	UPPER HANDLE NAME PLATE	-
41	38784061	C3820	VALVE SEAL	1.07
42	38717009	C3820	VALVE STEM	2.15
43	38458033	C3820	LOWER CONTROL ROD	1.39
44	38784060	C3820	SOLUTION TANK SEAL	1.39
45	43516007	C3820	RESERVOIR ASSEMBLY WITH SEAL	N.L.A.
46	39442041	C3820	CORD WRAP	2.15
47	40309002	C3820	SERVICE TUBING	3.55
48	40201145	C3820	HARDWARE KIT ASSEMBLY	2.15
49	34113004	C3820	MOTOR SEAL	1.07
50	39466033	C3820	LOWER HANDLE	21.59
51	37276001	C3820	HANDLE COVER	9.28
52	46583048	C3820	POWER CORD - 35' / 3 WIRE	39.95
53	38781048	C3820	MOTOR BASE SEAL	2.47
54	36131086	C3820	TRUNION COVER - LEFT	2.80
55	38434025	C3820	SWITCH ACTUATOR LEVER	3.23
56	90001106	C3820	SWITCH	4.31
57	90001281	C3820	CORD RETAINER	.81
58	42274005	C3820	MAIN BODY / NOZZLE BASE	20.51
	38784070	C3820	FLOAT RETAINER STEAM SEAL	2.47
	43538001	C3820	FLOAT ASSEMBLY	3.55
	58313006	C3820	HANDLE PROTECTOR	N.L.A.
	58315006	C3820	REAR SUPPORT	N.L.A.
	58332024	C3820	BOTTOM REAR SUPPORT	N.L.A.
	58364017	C3820	MIDDLE SUPPORT	N.L.A.
	58461019	C3820	FRONT REAR SUPPORT	N.L.A.
	38719027	C3820	FLOAT RETAINER	2.47

FOR VACUUM CLEANER PARTS PLEASE CALL 608-836-7771