



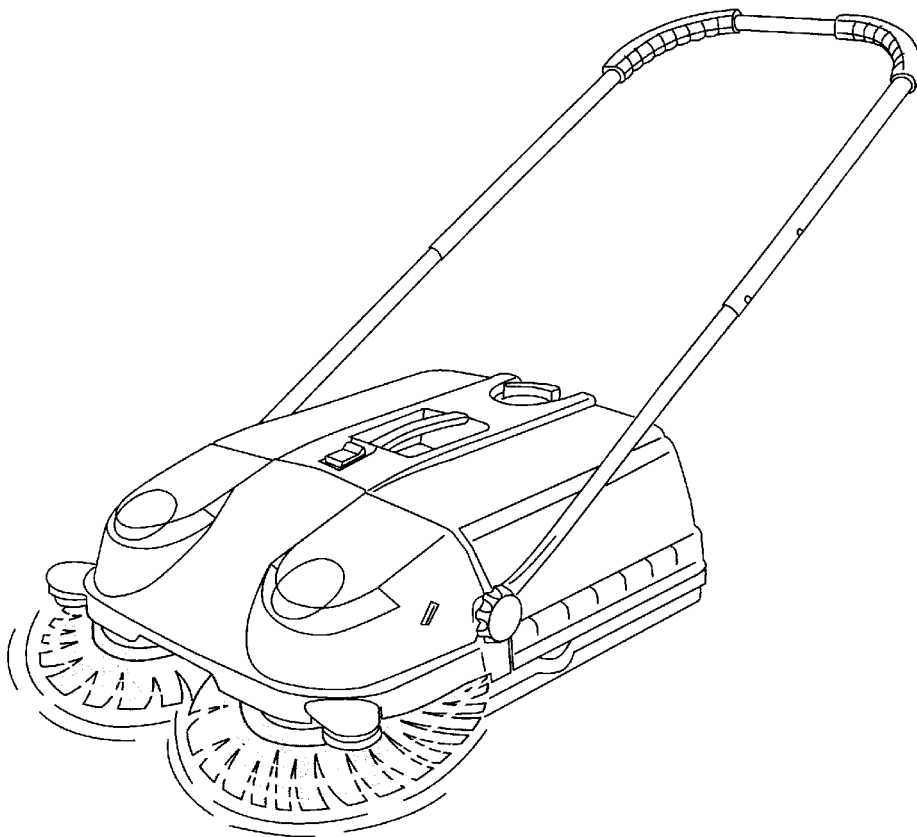
SECTION CONTENTS

MODEL No.
L1405

PAGE No.
7-2 THRU 7-3

MODEL No.

L1405



FOR VACUUM CLEANER PARTS PLEASE CALL 608-836-7771

- * PRICING, SPECIFICATION'S, AND PRODUCT AVAILABILITY ARE SUBJECT TO CHANGE WITHOUT NOTICE. PRICING IS FOB FACTORY, CANTON, OH
- * ALL INFORMATION CONTAINED WITHIN THIS SERVICE MANUAL IS PROPRIETARY INFORMATION OF TTI FLOOR CARE NORTH AMERICA.
- * **WARNING:** TO REDUCE THE RISK OF ELECTRICAL SHOCK OR INJURY, ALWAYS DISCONNECT THE APPLIANCE CORD FROM THE ELECTRICAL OUTLET OR REMOVE BATTERY PRIOR TO SERVICING THE UNIT.



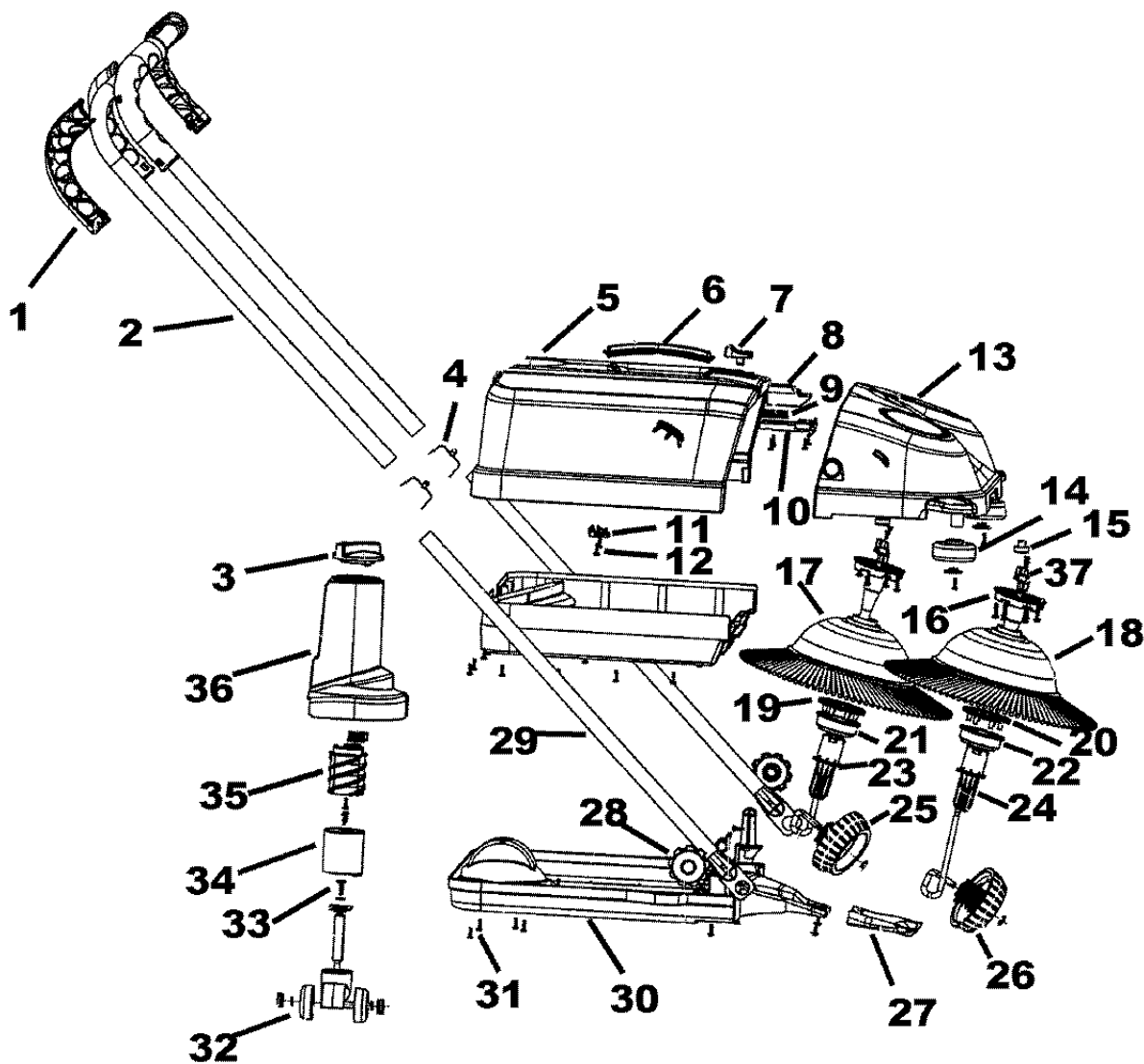
7

ASSEMBLY SCHEMATIC

MODEL NO.

L1405

FOR VACUUM CLEANER PARTS PLEASE CALL 608-836-7771





7

PART LISTING / PRICE LIST

MODEL No.

L1405

ITEM	PART NUMBER	MODELS TO FIT	PART DESCRIPTION	LIST COST
1	93001001	L1405	HANDLE COVER SET	2.47
2	93001002	L1405	HANDLE PIPELINE ASSEMBLY	21.59
3	93001008	L1405	ADJUSTMENT KNOB	1.39
4	59641006	L1405	HANDLE TUBE LOCK	1.07
5	93001005	L1405	DUST BIN ASSEMBLY	53.99
6	93001023	L1405	BACK HOUSING HANDLE	N.L.A.
7	93001024	L1405	LOCK BUTTON HOUSING	1.07
8	59641016	L1405	LOCK HOUSING	N.L.A.
9	59641038	L1405	SPRING	1.07
10	59641017	L1405	LOCK BRACKET	1.07
11	59641059	L1405	BACK HOUSING HANDLE HOLDER	1.07
12	59641032	L1405	SCREW	1.07
13	93001007	L1405	FRONT HOUSING	19.43
14	59641001	L1405	SIDE WHEEL	1.39
15	59641062	L1405	ABSORBER	1.07
16	59641012	L1405	JOINT SHAFT	2.47
17	93001011	L1405	BRUSH ASSEMBLY -LEFT	14.03
18	93001010	L1405	BRUSH ASSEMBLY - RIGHT	14.03
19	59641026	L1405	CLUTCH	1.39
20	59641026	L1405	CLUTCH	1.39
21	59641024	L1405	CLUTCH HOUSING - LEFT	1.07
22	59641025	L1405	CLUTCH HOUSING - RIGHT	1.07
23	59641022	L1405	WORM	4.31
24	59641022	L1405	WORM	4.31
25	59641050	L1405	WORM WHEEL ASSEMBLY - LEFT	9.25
26	59641049	L1405	WORM WHEEL ASSEMBLY - RIGHT	9.28
27	59641085	L1405	RUBBER FRONT BRACKET	2.15
28	59641005	L1405	FIXING NUT	1.07
29	93001003	L1405	JOINT TUBE ASSEMBLY	9.71
30	93001006	L1405	BOTTOM FRAME ASSEMBLY	32.39
31	59641031	L1405	SCREW	1.07
32	93001004	L1405	CASTER WHEEL ASSEMBLY	9.71
33		L1405	SCREW - INCLUDED WITH #32	-
34	59641021	L1405	BACK WHEEL WORM - LOWER	2.47
35	59641020	L1405	BACK WHEEL WORM - UPPER	N.L.A.
36	93001009	L1405	ADJUSTING KNOW HOUSING	N.L.A.

FOR VACUUM CLEANER PARTS PLEASE CALL 608-836-7771



7

MODEL NO.

L1405

NOTES

FOR VACUUM CLEANER PARTS PLEASE CALL 608-836-7771