



SELF PROPELLED WINDTUNNEL™

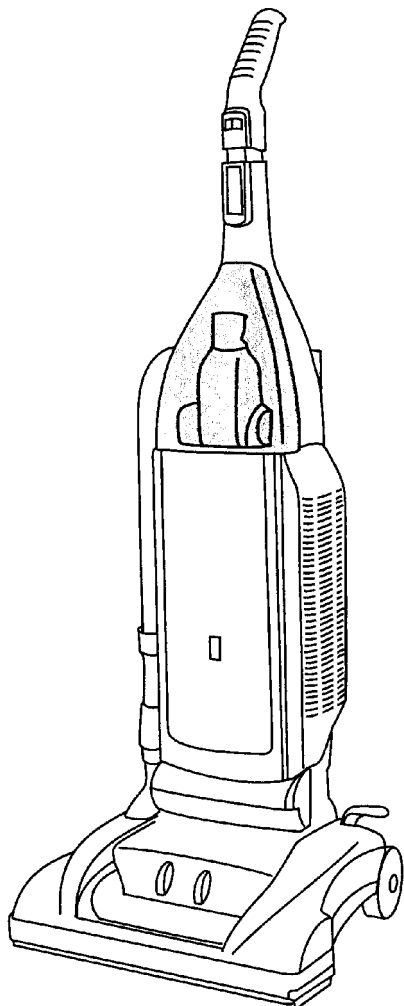
8

SECTION CONTENTS

<u>MODEL No.</u>	<u>PAGE No.</u>
U6439-900	8-2 THRU 8-9
U6454-900	8-2 THRU 8-9

MODEL No.

U6439-900
U6454-900



TO ORDER PARTS VISIT WWW.VACMONSTER.COM OR CALL 608-836-7771

* PRICING, SPECIFICATION'S, AND PRODUCT AVAILABILITY ARE SUBJECT TO CHANGE WITHOUT NOTICE. PRICING IS FOB FACTORY, CANTON, OH

* ALL INFORMATION CONTAINED WITHIN THIS SERVICE MANUAL IS PROPRIETARY INFORMATION OF TTI FLOOR CARE NORTH AMERICA.

* **WARNING:** TO REDUCE THE RISK OF ELECTRICAL SHOCK OR INJURY, ALWAYS DISCONNECT THE APPLIANCE CORD FROM THE ELECTRICAL OUTLET OR REMOVE BATTERY PRIOR TO SERVICING THE UNIT.



SELF PROPELLED
WINDTUNNEL™

8

PART LISTING / PRICE LIST

MODEL No.

U6439-900
 U6454-900

ITEM	PART NUMBER	MODELS TO FIT	PART DESCRIPTION	LIST COST
1	38512001	U6439900, U6454900	UPPER HANDLE GRIP	3.23
2	39454068	U6439900, U6454900	UPPER HANDLE GRIP COVER - BACK	3.23
3	92001246	U6439900, U6454900	UPPER HANDLE GRIP COVER - FRONT	3.23
4	21447228	U6439900, U6454900	SCREW - SELF TAPPING	.54
5	92001081	U6439900, U6454900	DRIVE CONTROL PIN	1.07
6	39466093	U6439900, U6454900	UPPER HANDLE	PENDING
7	37258119	U6439900, U6454900	SWITCH ROD HOLDER	.85
8	92001082	U6439900, U6454900	SWITCH BUTTON	.54
9	21447242	U6439900, U6454900	SCREW - SELF TAPPING	1.07
10	38458091	U6439900, U6454900	SWITCH ROD	.83
11	36923003	U6439900, U6454900	SWITCH ROD GUIDE	2.15
12	46383334	U6439900, U6454900	POWER CORD - 35'	15.11
13	43434031	U6439900, U6454900	HOSE ASSEMBLY COMPLETE	18.89
14	43211019	U6439900, U6454900	CONTROL CABLE - PUSH / PULL	2.16
15	66661205	U6439900, U6454900	CONTROL CABLE TUBE	3.23
16	28161067	U6439900, U6454900	SWITCH	1.35
17	36433153	U6439900, U6454900	TOOL HOLDER	7.12
18	37255028	U6439900, U6454900	BACK PANEL / BAG HOUSING	32.39
19	36433136	U6439900, U6454900	UPPER HOSE / WAND HOLDER	2.47
20	37255010	U6439900, U6454900	REAR COVER	3.55
21	47823004	U6439900, U6454900	MICROPHONE / DUCT ASSEMBLY	8.63
22	31178017	U6439900, U6454900	HOSE CONNECTOR GASKET	1.07
23	40120101	U6439900, U6454900	HEPA FINAL / EXHAUST FILTER	9.01
24	38769004	U6439900, U6454900	FINAL / EXHAUST FILTER COVER GRILL	4.31
25	51151010	U6439900, U6454900	BAG INDICATOR	6.47
26	37254292	U6439900, U6454900	FRONT PANEL / BAG DOOR	12.27
27	38781057	U6439900, U6454900	FRONT BAG DOOR GASKET - 34.5"	1.39
28	34123050	U6439900, U6454900	FRONT BAG DOOR GASKET - BOTTOM	1.07
29	38765019	U6439900, U6454900	SECONDARY / INLET FILTER	.60
30	36426034	U6439900, U6454900	SECONDARY / INLET FILTER RETAINER	1.39
31	41426150	U6439900, U6454900	WAND / HOSE HOLDER	4.63
32	34131005	U6439900, U6454900	WIRE OPENING SEAL	1.07
33	27313101	U6439900, U6454900	LAMP	1.93
34	47173024	U6439900, U6454900	WIRING HARNESS	4.31
35	21447072	U6439900, U6454900	SCREW	.54
36	46851031	U6439900, U6454900	PRINTED CURCUIT BOARD	32.39

TO ORDER PARTS VISIT WWW.VACMONSTER.COM OR CALL 608-836-7771



SELF PROPELLED
WINDTUNNEL™

8

PART LISTING / PRICE LIST

MODEL No.

U6439-900
 U6454-900

ITEM	PART NUMBER	MODELS TO FIT	PART DESCRIPTION	LIST COST
37	37944011	U6439900, U6454900	COVER	3.55
38	N.A.	U6439900, U6454900	GREEN LENS - SNAP IN	
39	27352030	U6439900, U6454900	RED LENS - SNAP IN	PENDING
40	39383100	U6439900, U6454900	LENS	2.47
41	21447228	U6439900, U6454900	SCREW - SELF TAPPING	.54
42	36322037	U6439900, U6454900	MOTOR MOUNT - LARGE	4.31
43	91001205	U6439900, U6454900	MOTOR ASSEMBLY COMPLETE	75.59
	41311017	U6439900, U6454900	MOTOR BRUSH	4.63
	90001206	U6439900, U6454900	FAN ASSEMBLY	3.23
44	28382093	U6439900, U6454900	THERMAL PROTECTOR	4.61
45	36322030	U6439900, U6454900	MOTOR MOUNT - SMALL	1.07
46	37195107	U6439900, U6454900	MOTOR COVER	8.09
47	21447230	U6439900, U6454900	SCREW - SELF TAPPING	1.07
48	23149001	U6439900, U6454900	TAPPING SCREW AND WASHER	.38
49	21447242	U6439900, U6454900	SCREW - SELF TAPPING	1.07
50	21447072	U6439900, U6454900	SCREW	.54
51	36433155	U6439900, U6454900	TOOL HOLDER CAP	5.39
52	37257250	U6439900, U6454900	TOOL DOOR	6.47
53	36433154	U6439900, U6454900	TOOLD RACK	7.12
54	40200013	U6439900, U6454900	TURBINE TOOL	9.95
	36436014	U6439900, U6454900	HANDLE SLEEVE	1.93
	36215028	U6439900, U6454900	CORD PROTECTOR	1.72
	4010100Y	U6439900, U6454900	TYPE Y ALLERGY BAG - 3 PACK	3.62
	3944201P	U6439900, U6454900	CORD WRAP	1.07
	38614044	U6439900, U6454900	FURNITURE NOZZLE	5.93
	38617032	U6439900, U6454900	CREVICE TOOL	3.23
	38634078	U6439900, U6454900	EXTENSION TUBE	6.47
	43414197	U6439900, U6454900	DUSTING BRUSH ASSEMBLY - BLACK	2.55

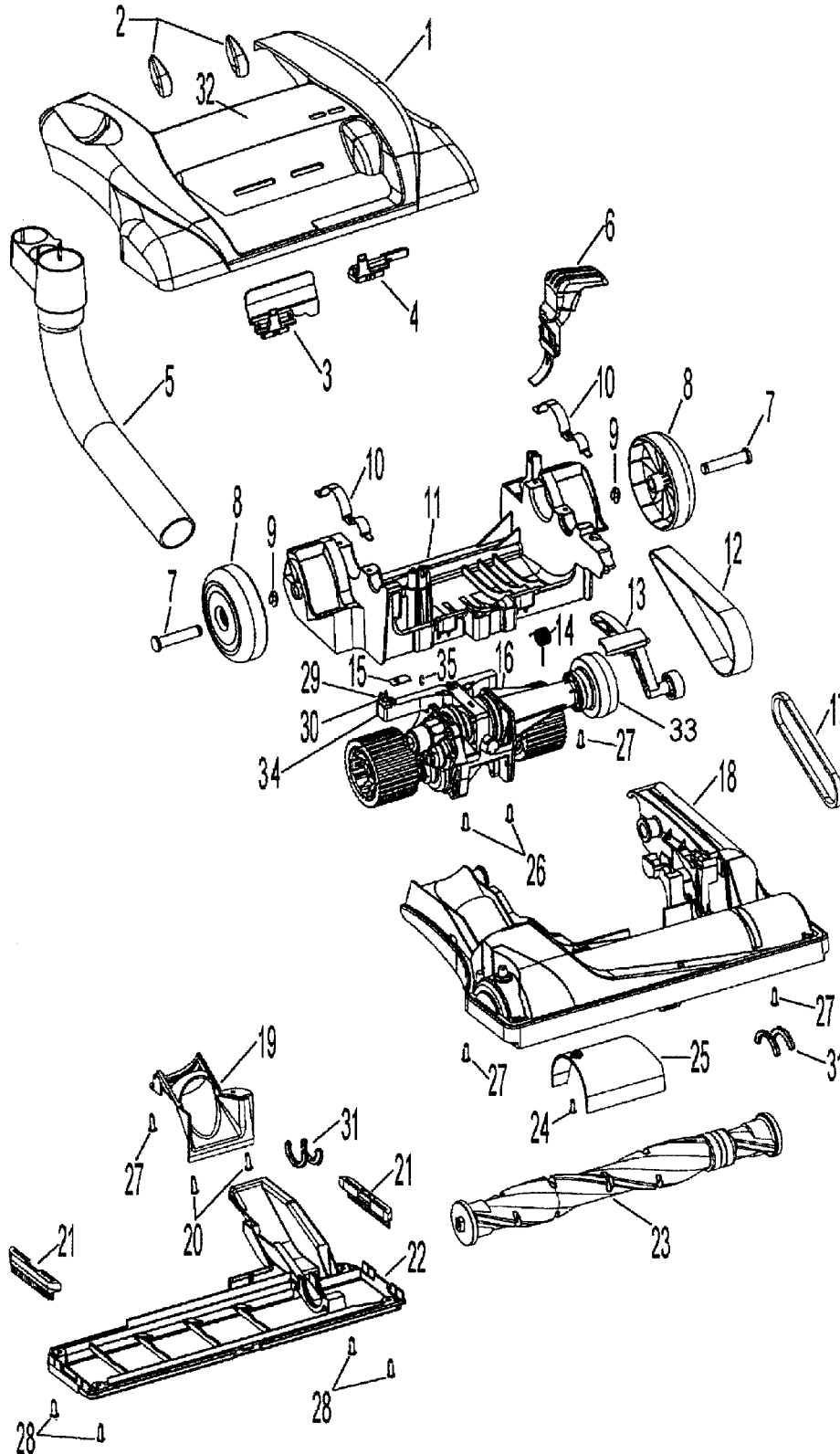
TO ORDER PARTS VISIT WWW.VACMONSTER.COM OR CALL 608-836-7771



SELF PROPELLED WINDTUNNEL™

8

ASSEMBLY SCHEMATIC



MODEL No.

U6439-900

U6454-900

TO ORDER PARTS VISIT WWW.VACMONSTER.COM OR CALL 608-836-7771



SELF PROPELLED
WINDTUNNEL™

8

PART LISTING / PRICE LIST

MODEL No.

U6439-900

U6454-900

ITEM	PART NUMBER	MODELS TO FIT	PART DESCRIPTION	LIST COST
1	37253380	U6439900	HOOD / NOZZLE COVER - GRAY	20.51
	92001249	U6454900	HOOD / NOZZLE COVER - ICE BLUE	16.19
2	38421128	U6439900, U6454900	AJUSTMENT KNOB	2.47
3	38563026	U6439900, U6454900	HEIGHT ADJUSTMENT CAM	2.15
4	36143004	U6439900, U6454900	IDLER ARM	.56
5	41426150	U6439900, U6454900	WAND / HOSE HOLDER	4.63
6	38434023	U6439900, U6454900	HANDLE RELEASE PEDAL	1.89
7	32434007	U6439900, U6454900	REAR AXLE	1.07
8	38522077	U6439900, U6454900	REAR WHEEL	2.15
9	160017--	U6439900, U6454900	LOCK RING	.27
10	36131096	U6439900, U6454900	TRUNNION COVER	1.07
11	37241161	U6439900, U6454900	MAIN BODY / NOZZLE BASE	9.71
12	38528035	U6439900, U6454900	BELT	1.39
13	43241004	U6439900, U6454900	IDLER ARM ASSEMBLY COMPLETE	10.79
	43241006	U6439900, U6454900	IDLER PULLEY AND BEARING ASSEMBLY	5.48
14	38356014	U6439900, U6454900	TORSION SPRING	1.07
15	34125004	U6439900, U6454900	RETAINER CONTROL CABLE	1.07
	21447242	U6439900, U6454900	SCREW - SELF TAPPING	1.07
16	43124016	U6439900, U6454900	POWER DRIVE ASSEMBLY	118.79
	43143046	U6439900, U6454900	ACTUATOR ARM ASSEMBLY	3.01
17	38528034	U6439900, U6454900	V-BELT	2.50
18	37243051	U6439900, U6454900	AGITATOR / BRUSH ROLL HOUSING	32.39
19	36172007	U6439900, U6454900	HOSE CLAMP	1.39
20	21479448	U6439900, U6454900	SCREW - SELF TAPPING	.54
21	39511004	U6439900, U6454900	LITTLE PICKER	.43
22	42245030	U6439900, U6454900	BOTTOM PLATE / NOZZLE GUARD	10.78
23	91001201	U6439900, U6454900	AGITATOR / BRUSH ROLL	23.21
24	21479446	U6439900, U6454900	SCREW - SELF TAPPING	.54
25	37243013	U6439900, U6454900	DUCT COVER - NOZZLE	3.01
26	21447242	U6439900, U6454900	SCREW - SELF TAPPING	1.07
27	21447228	U6439900, U6454900	SCREW - SELF TAPPING	.54
28	21447121	U6439900, U6454900	SCREW	.54
29	21751010	U6439900, U6454900	SCREW	.54
30	36128002	U6439900, U6454900	WASHER	.19
31	38781053	U6439900, U6454900	AGITATOR PULLEY SEAL	.32
32	91001077	U6439900, U6454900	HOOD / NOZZLE COVER - NAME PLATE	5.39

TO ORDER PARTS VISIT WWW.VACMONSTER.COM OR CALL 608-836-7771



SELF PROPELLED
WINDTUNNEL™

8

PART LISTING / PRICE LIST

ITEM	PART NUMBER	MODELS TO FIT	PART DESCRIPTION	LIST COST
33	38537013	U6439900, U6454900	DRIVE PULLEY	4.31
34	43143046	U6439900, U6454900	ACTUATOR ARM ASSEMBLY	3.01
35	013759--	U6439900, U6454900	LOCK RING	.54
	36131101	U6439900, U6454900	CONTROL CABLE SUPPORT	2.15
	38313037	U6439900, U6454900	NOZZLE SPRING	N.L.A.

MODEL No.

U6439-900

U6454-900

TO ORDER PARTS VISIT WWW.VACMONSTER.COM OR CALL 608-836-7771



SELF PROPELLED
WINDTUNNEL™

8

TO ORDER PARTS VISIT WWW.VACMONSTER.COM OR CALL 608-836-7771

PART LISTING / PRICE LIST

ITEM	PART NUMBER	MODELS TO FIT	PART DESCRIPTION	LIST COST
1	38528037	U6439900, U6454900	BELT	4.99
2	48414088	U6439900, U6454900	AGITATOR / BRUSH ROLL	17.27
3	38632011	U6439900, U6454900	CONNECTOR - TURBINE TOOL	
	40200013	U6439900	TURBINE TOOL	9.95
	49129032	U6454900	TURBINE TOOL	13.92

MODEL No.

U6439-900

U6454-900



SELF PROPELLED
WINDTUNNEL™

8

TO ORDER PARTS VISIT WWW.VACMONSTER.COM OR CALL 608-836-7771

NOTES

MODEL No.

U6439-900

U6454-900