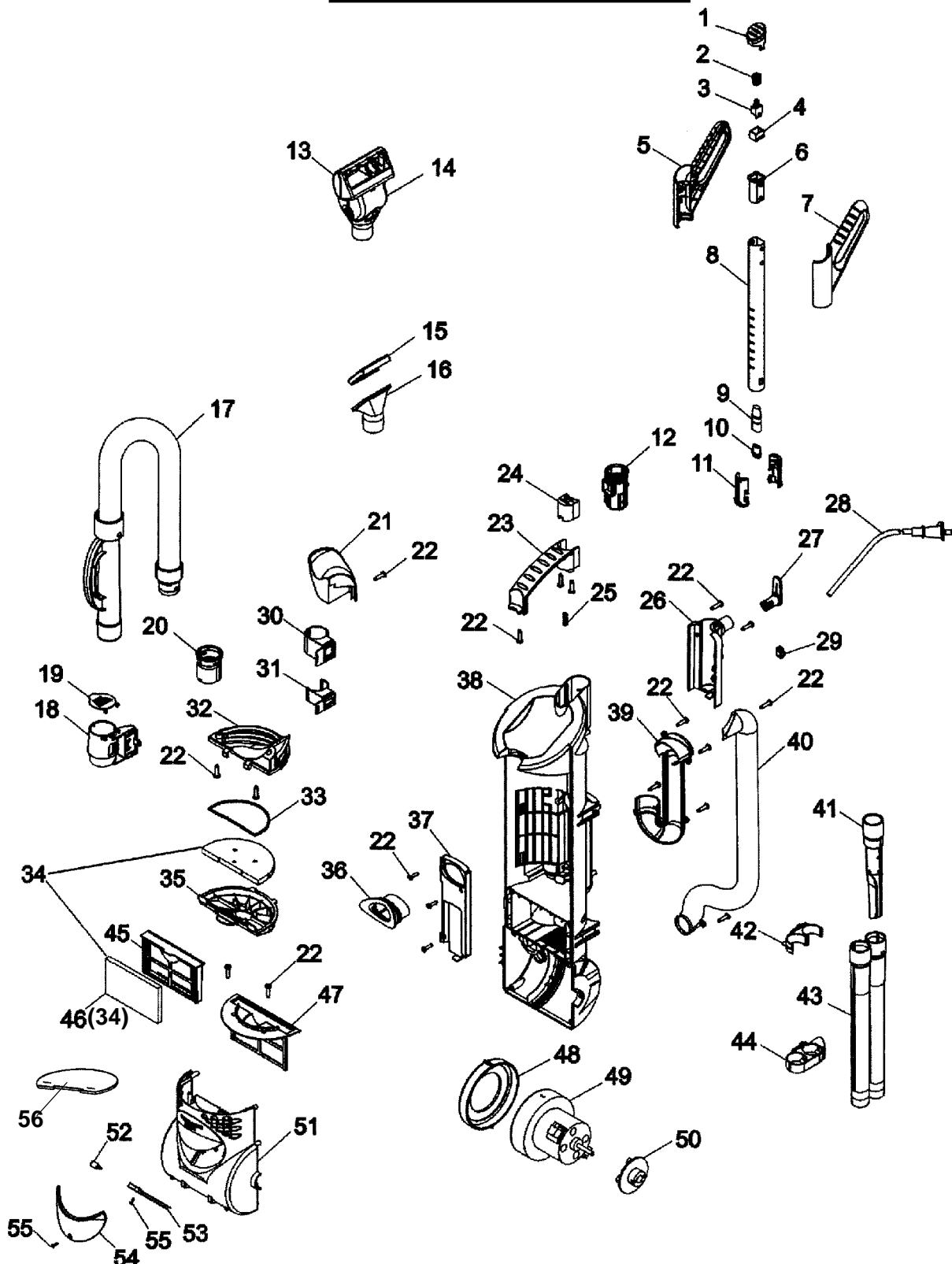




FUSION™ Power Max MACH³

28

ASSEMBLY SCHEMATIC



MODEL No.

- U5180-900
- U5180-910
- U5182-900
- U5183-900
- UH70005B

TO ORDER PARTS VISIT WWW.VACMONSTER.COM OR CALL 608-836-7771



FUSION™

Power Max MACH³

28

PART LISTING / PRICE LIST

MODEL No.

ITEM	PART NUMBER	MODELS To FIT	PART DESCRIPTION	LIST COST
1	93001707	ALL	SWITCH BUTTON	.81
	93002352	U5185-900	SWITCH BUTTON - PURPLE	N.A.
2	93001706	ALL	SWITCH BUTTON SPRING	.81
3	93001705	ALL	SWITCH	5.39
4	93001703	ALL	SWITCH HOLDER	.81
5	93001699	ALL	HANDLE - LEFT PURPLE	1.61
	93002350	U5185-900	HANDLE - LEFT GRAPHITE SILVER METTALIC	1.93
6	93001702	ALL	SWITCH SLEEVE	.81
7	93001704	ALL	HANDLE - RIGHT PURPLE	1.61
	93002351	U5185-900	HANDLE - RIGHT GRAPHITE SILVER METALLIC	1.93
8	93001698	ALL	TELESCOPING TUBE	7.55
9	93001717	ALL	FEMALE CONNECTOR	4.31
10	93001700	ALL	MALE CONNECTOR	2.15
11	93001701	ALL	FIXING PLATE - MALE CONNECTOR	.81
12	93001697	ALL	HANDLE SLEEVE	1.07
13	93001712	ALL	UPPER HOUSING	2.69
14	49129032	ALL	TURBINE TOOL	13.92
15	93001716	ALL	BRUSH - REMOVABLE	1.39
16	93001715	ALL	FURNITURE NOZZLE	3.23
17	93001710	ALL	HOSE ASSEMBLY	10.79
18	93001657	ALL	LOWER HOSE HOLDER	9.71
	93002331	U5185-900	LOWER HOSE HOLDER - MAG GRAY	7.01
19	93001658	ALL	DEBRIS DOOR	1.07
20	93001690	ALL	ADAPTOR	.81
21	93001711	ALL	UPPER HOSE HOLDER	.81
	93002354	U5185-900	UPPER HOSE HOLDER - MAG GRAY	1.07
22	93001728	ALL	SCREW - SELF TAPPING	.54
23	93001696	U5180-900, U5180-910	CARRY HANDLE - RED	1.61
	93002321	U5182-900, U5183-900	CARRY HANDLE - MYSTIC LIME GREEN	N.A.
	93002349	U5185-900	CARRY HANDLE - PURPLE	N.A.
24	93001708	U5180-900, U5180-910	HANDLE RELEASE BUTTON - RED	.81
	93002322	U5182-900, U5183-900	HANDLE RELEASE BUTTON - LIME GREEN	2.15
	93002353	U5185-900	HANDLE RELEASE BUTTON - PURPLE	N.A.
25	93001709	ALL	HANDLE RELEASE BUTTON SPRING	.81
26	93001695	ALL	HANDLE COVER	1.61
	93002348	U5185-900	HANDLE COVER - GRAPHITE SILVER	N.A.
27	93001694	ALL	CORD HOOK	.81
	93002347	U5185-900	CORD HOOK - GRAPHITE GRAY	1.07
28	93001718	ALL	POWER CORD	9.71

U5180-900
U5180-910
U5182-900
U5183-900
U5185-900
UH70005B

TO ORDER PARTS VISIT WWW.VACMONSTER.COM OR CALL 608-836-7771



FUSION™

Power Max MACH³

28

PART LISTING / PRICE LIST

MODEL No.

ITEM	PART NUMBER	MODELS To FIT	PART DESCRIPTION	LIST COST
29	93001693	ALL	FIXING PLATE - POWER CORD	N.A.
30	93001692	ALL	TURBINE TOOL HOLDER	.81
	93002346	U5185-900	TURBINE TOOL HOLDER - MAG GRAY	1.07
31	93001691	ALL	COMBINATION BRUSH HOLDER	.81
	93002345	U5185-900	COMBINATION BRUSH HOLDER - GRAY	1.07
32	93001722	ALL	PRE-MOTOR FILTER FRAME	1.07
	93001721	ALL	PRE-MOTOR FILTER FRAME WITH SEAL	1.61
33	93001724	ALL	SEAL - PRE MOTOR FILTER FRAME	.81
34	93001633	ALL	FILTER PACK	3.49
35	93001731	ALL	FILTER FRAME BOTTOM - PRE FILTER	1.07
36	93001720	ALL	DIRT CUP INLET SEAL	4.31
37	93001719	ALL	WIRE COVER	.81
38	93001680	ALL	BACK PANEL / DIRT CUP HOUSING	16.19
	93002341	U5185-900	BACK PANEL / DIRT CUP HOUSING - GRAPHITE SILVER	16.33
39	93001689	ALL	DUCT COVER	3.23
40	93001688	ALL	REAR DUCT	5.39
41	93001630	U5180-900, U5180-910	CREVICE TOOL - RED	4.31
	93002320	U5182-900, U5183-900	CREVICE TOOL - GREEN ORDER 93001630	N.A.
	93002344	U5185-900	CREVICE TOOL - PURPLE ORDER 93001630	N.A.
42	93001683	ALL	UPPER TUBE HOLDER	.81
	93002343	U5185-900	UPPER TUBE HOLDER - GRAPHITE SILVER	1.07
43	38634092	ALL	EXTENSION TUBE - 14"	7.01
44	93001681	ALL	LOWER TUBE HOLDER	.81
	93002342	U5185-900	LOWER TUBE HOLDER - GRAPHITE SILVER	1.07
45	93001725	ALL	FINAL FILTER FRAME	1.07
46		ALL	FILTER PACK - ORDER 93001633	N.A.
47	93001727	ALL	FIXING COVER - FINAL FILTER FRAME	.81
48	93001679	ALL	MOTOR SEAL	3.23
49	93001678	ALL	MOTOR	45.89
50	93001677	ALL	REAR MOTOR PLATE	1.07
51	93001661	ALL	MOTOR COVER	5.93
	93002332	U5185-900	MOTOR COVER - GRAPHITE SILVER	16.19
52	27313107	ALL	BULB	.77
53	93001660	ALL	LAMP SOCKET	3.23
54	93001659	ALL	LENS	1.61
55	93001729	ALL	SCREW - SELF TAPPING	.54
56	93002520	ALL	SECONDARY FILTER - PRE MOTOR	2.52
	59156137	U5182-900, U5183-900, U5185-900	BARE FLOOR BRUSH	11.87

U5180-900
 U5180-910
 U5182-900
 U5183-900
 UH70005B

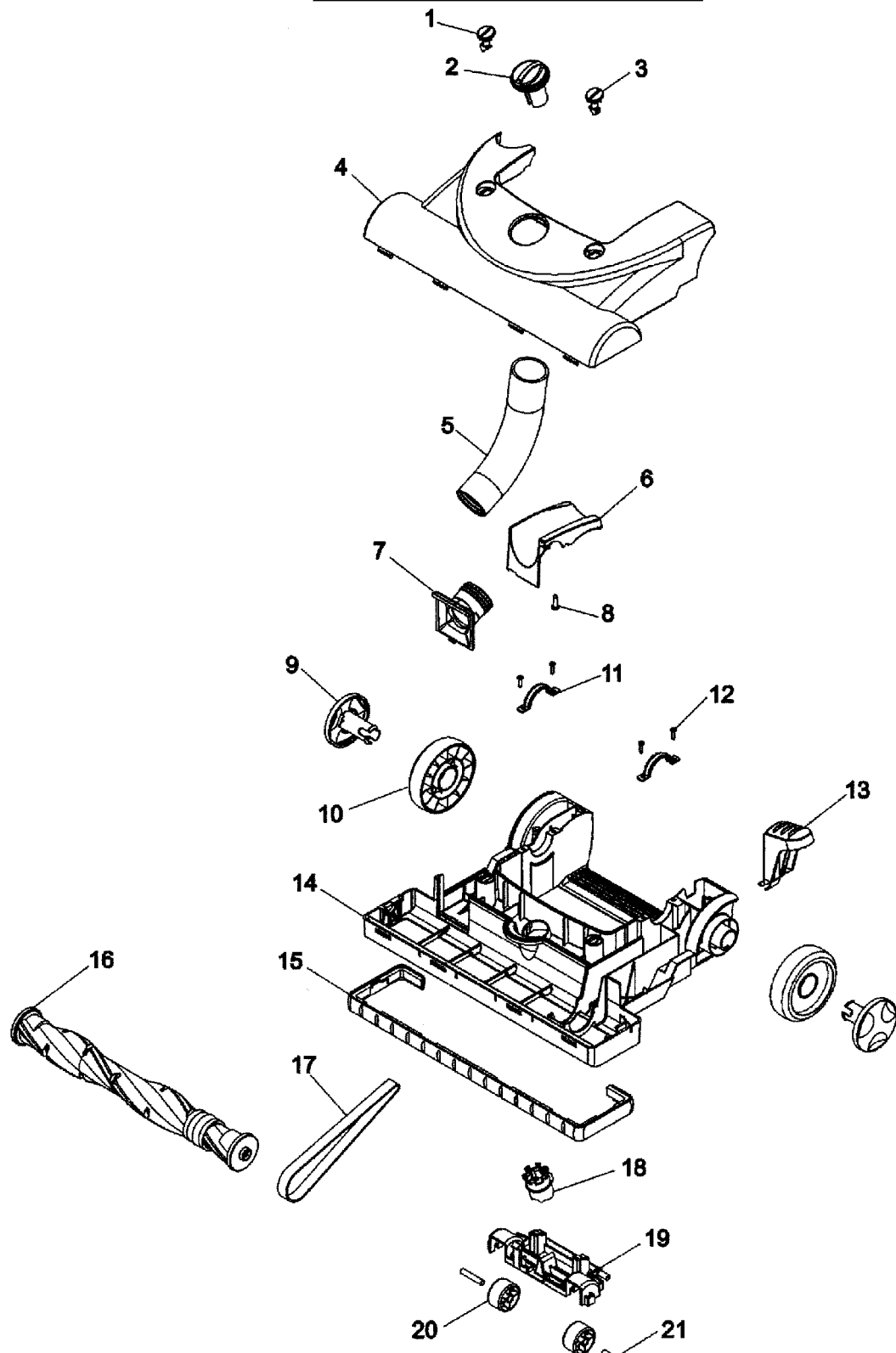
TO ORDER PARTS VISIT WWW.VACMONSTER.COM OR CALL 608-836-7771



FUSION™ Power Max MACH³

28

ASSEMBLY SCHEMATIC



MODEL No.

- U5180-900
- U5180-910
- U5182-900
- U5183-900
- UH70005B

TO ORDER PARTS VISIT WWW.VACMONSTER.COM OR CALL 608-836-7771



FUSION™

Power Max

MACH³

28

PART LISTING / PRICE LIST

MODEL No.

U5180-900

U5180-910

U5182-900

U5183-900

UH70005B

ITEM	PART NUMBER	MODELS TO FIT	PART DESCRIPTION	LIST COST
1	93001662	ALL	HOOD RETAINER - LEFT	.81
	93002333	U5195-900	HOOD RETAINER - LEFT GRAPHITE GRAY	N.A.
2	93001667	U5180-900, U5180-910	HEIGHT ADJUSTMENT KNOB - RED	1.07
	93002317	U5182-900, U5183-900	HEIGHT ADJUSTMENT KNOB - LIME GRN	1.39
	93002336	U5185-900	HEIGHT ADJUSTMENT KNOB - PURPLE	N.A.
3	93001668	ALL	HOOD RETAINER - RIGHT	.81
	93002337	U5195-900	HOOD RETAINER - RIGHT GRAPHITE GRAY	N.A.
4	93001669	ALL	HOOD / NOZZLE COVER	6.47
	93002338	U5195-900	HOOD / NOZZLE COVER - PURPLE	8.09
5	93001654	ALL	LOWER HOSE	1.61
6	93001665	ALL	REAR COVER - MAIN BODY	1.07
	93002335	U5195-900	REAR COVER - MAIN BODY - SILVER	N.A.
7	93001655	ALL	INLET DUCT	.81
8	93001729	ALL	SCREW - SELF TAPPING	.54
9	93001673	U5180-900, U5180-910	REAR WHEEL HUB - RED	2.15
	93002319	U5182-900, U5183-900	REAR WHEEL HUB - MYSTIC LIME GREEN	1.93
	93002340	U5185-900	REAR WHEEL HUB - PURPLE	1.07
10	93001672	ALL	REAR WHEEL	2.15
11	93001663	ALL	TRUNNION	.81
12	93001729	ALL	SCREW - SELF TAPPING	.54
13	93001664	U5180-900, U5180-910	HANDLE RELEASE PEDAL - RED	2.15
	93002316	U5182-900, U5183-900	HANDLE RELEASE PEDAL - LIME GREEN	2.15
	93002334	U5185-900	HANDLE RELEASE PEDAL - PURPLE	.86
14	93001666	ALL	MAIN BODY	11.87
15	93001670	U5180-900, U5180-910	FURNITURE GUARD - RED	2.15
	93002318	U5182-900, U5183-900	FURNITURE GUARD - MYSTIC LIME GREEN	1.61
	93002339	U5185-900	FURNITURE GUARD - PURPLE	N.A.
16	48414132	ALL	AGITATOR / BRUSH ROLL 15"	21.59
	48414115	ALL	AGITATOR / BRUSH ROLL 15"	23.75
17	38528040	ALL	BELT	2.79
18	93001671	ALL	HEIGHT ADJUSTMENT CAM	.81
19	93001674	ALL	FRONT WHEEL CARRIAGE	3.77
20	93001675	ALL	FRONT WHEEL	2.15
21	93001676	ALL	FRONT WHEEL SHAFT	1.07

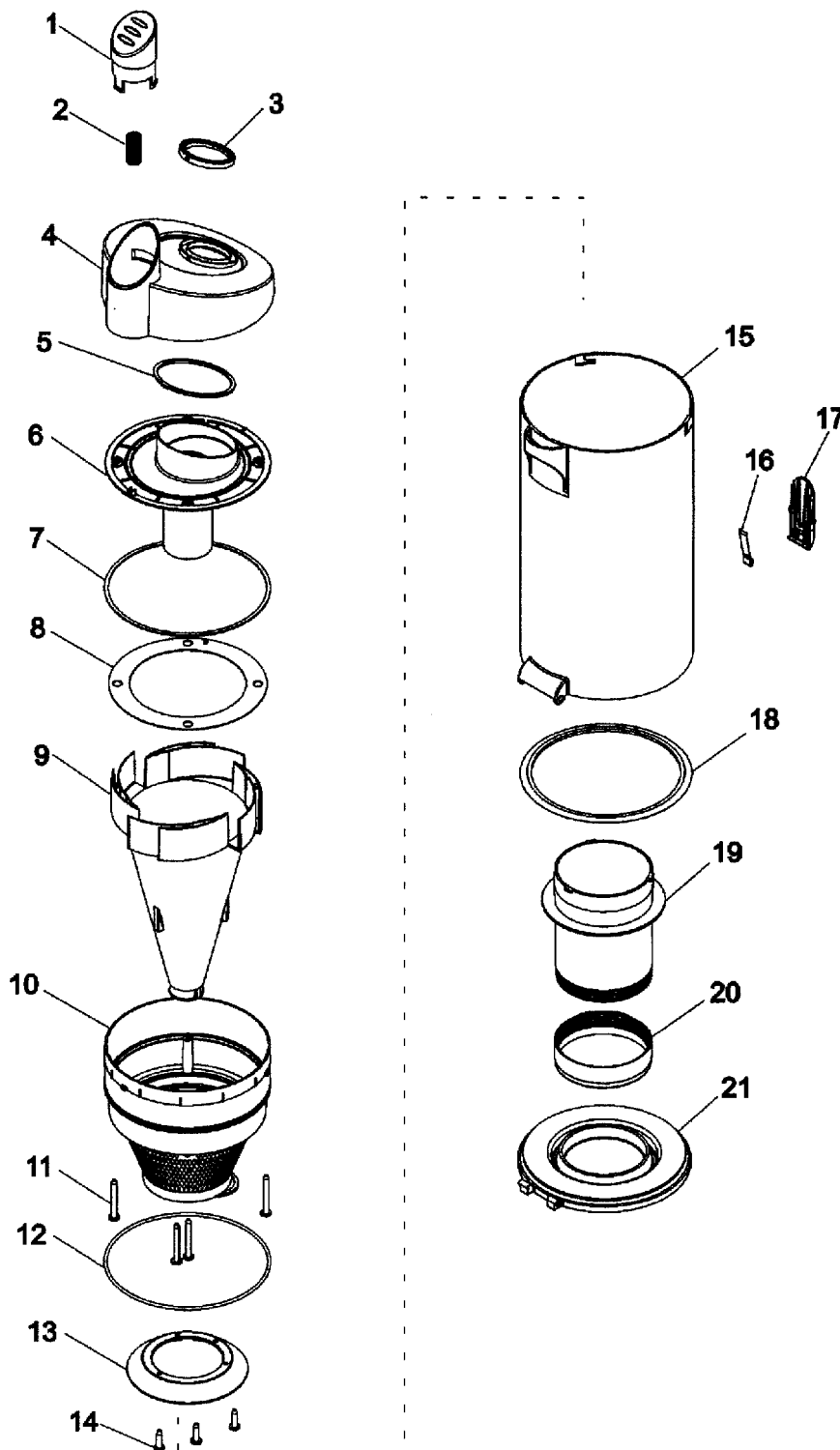
TO ORDER PARTS VISIT WWW.VACMONSTER.COM OR CALL 608-836-7771



FUSION™ Power Max MACH³

28

ASSEMBLY SCHEMATIC



MODEL No.

U5180-900

U5180-910

U5182-900

U5183-900

UH70005B

TO ORDER PARTS VISIT WWW.VACMONSTER.COM OR CALL 608-836-7771



FUSION™

Power Max MACH³

28

TO ORDER PARTS VISIT WWW.VACMONSTER.COM OR CALL 608-836-7771

PART LISTING / PRICE LIST

ITEM	PART NUMBER	MODELS TO FIT	PART DESCRIPTION	LIST COST
1	93001635	U5180-900, U5180-910	DIRT CUP RELEASE BUTTON	1.39
	93002310	U5182-900, U5183-900	DIRT CUP RELEASE BUTTON	1.07
	93002324	U5185-900	DIRT CUP RELEASE BUTTON -PURPLE	N.A.
2	93001656	ALL	DIRT CUP RELEASE BUTTON SPRING	.81
3	93001647	ALL	DIRT CUP OUTLET SEAL	2.69
4	93001648	ALL	DIRT CUP COVER	3.23
	93002330	U5185-900	DIRT CUP COVER	N.A.
5	93001649	ALL	DIRT CUP COVER SEAL	1.07
6	93001650	ALL	DUCT	2.15
7	93001651	ALL	SEAL - DUCT B	.81
8	93001652	ALL	SEAL - DUCT A	.81
9	93001653	U5180-900, U5180-910	CONE SEPARATOR	3.23
	93002315	U5182-900, U5183-900, U5185-900	CONE SEPARATOR	3.55
10	93001636	U5180-900, U5180-910	CYCLONE FILTER	2.49
	93002311	U5182-900, U5183-900	CYCLONE FILTER	4.99
	93002325	U5185-900	CYCLONE FILTER - PURPLE	7.49
11	93001730	ALL	SCREW - SELF TAPPING	.54
12	93001637	U5180-900, U5180-910	FILTER SEAL - 1/8" - OLDER MODELS	.97
	93001832	U5180-900, U5180-910	FILTER SEAL	3.23
	93001833	U5182-900, U5183-900, U5185-900	FILTER SEAL - 5/16"	1.07
13	93001638	ALL	SHROUD	1.07
	93002326	U5185-900	SHROUD - PURPLE	N.A.
14	93001729	ALL	SCREW - SELF TAPPING	.54
15	93001639	ALL	DIRT CUP	16.19
	93002327	U5185-900	DIRT CUP - SMOKE	16.19
16	93001641	ALL	DIRT CUP RELEASE SPRING	.81
17	93001640	U5180-900, U5180-910	DIRT CUP RELEASE BUTTON	1.07
	93002313	U5182-900, U5183-900	DIRT CUP RELEASE BUTTON	1.07
	93002328	U5185-900	DIRT CUP RELEASE BUTTON - PURPLE	PENDING
18	93001642	ALL	DIRT CUP LID SEAL	1.61
19	93001643	U5180-900, U5180-910	DUST CHAMBER / DIRT CUP	2.69
	93002314	U5182-900, U5183-900	DUST CHAMBER / DIRT CUP	3.55
	93002329	U5185-900	DUST CHAMBER / DIRT CUP	3.99
20	93001644	ALL	DUST CHAMBER SEAL	2.15
21	93001645	ALL	DIRT CUP LID WITH SEAL	4.63

MODEL No.

U5180-900
 U5180-910
 U5182-900
 U5183-900
 UH70005B